



Perth II

PD-5200~PD-5231

Our Perth lanterns and sconces are not quite contemporary and not quite traditional. They may fit into a "Mission" category better than anything else, but are just a touch newer. Perth is a square fixture with laser-cut side panels that serve as reveals for light passage. The pendants feature dual circuit configurations that allow for some great downlight options if desired. We offer a wide variety of diffuser panels and metal finishes. Mix and match to arrive at an ideal color configuration for your spaces. Our lamplung options run from simple incandescent to long, long lasting LED's.

~Perth II Series~

- Chandelier: CH-5200~CH-5211
- Pendant: PD-5200~PD-5231
- Ceiling Mount: CL-5200~CL-5208
- Wall Mount: SC-5200~SC-5211
- Bollard: BL-5200~BL-5211

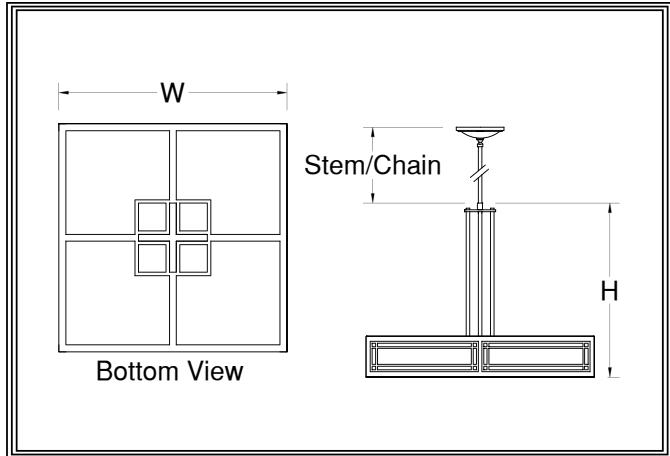
Mounting: Lightsmith fixtures mount to standard 4" octagon electrical boxes unless otherwise specified. All hardware and canopies supplied.

Listing and Warranty: Lightsmith fixtures are Underwriters Laboratories listed and carry a standard three year warranty against defects in materials and labor beginning at date of shipment.



Fixture Specifications

PD-52 <small>FIXTURE NUMBER (Example: PD-5200)</small>	~	<small>DIFFUSER (Example: BGA-ECH)</small>	~	<small>METAL FINISH (Example: ABB)</small>	~	<small>VOLTAGE <input type="checkbox"/> (120V) <input type="checkbox"/> (277V) <input type="checkbox"/> (347V) </small>	~	<small>STEM=S+Lgth (Example: S-96") CHAIN=C+Lgth (Example: C-96") NR=Not required </small>	~	<small>OPTIONS (Example: DIM, REM)</small>	~	<small>MODIFICATIONS (Example: Custom Paint) Use "Notes" Box At Top To Explain Modifications </small>
--	---	--	---	--	---	--	---	--	---	--	---	--



PD-52

Fixture Number Job Type

Job Name

Notes~Modifications

	Fixture Number	Dimensions	Lamping	Weight	Stem/Chain	Options
LED	<input type="checkbox"/> PD-5209	16w x 14h	6-10wCLED (7242 lumens)	16 lbs	3' Std	DALI, REM, FUS**
	<input type="checkbox"/> PD-5210	24w x 18h	6-16wCLED (12720 lumens)	23 lbs	6' Std	L423, L623
	<input type="checkbox"/> PD-5211	30w x 24h	9-16wCLED (19080 lumens)	27 lbs	9' Std	L423, L623, L311
	<input type="checkbox"/> PD-5212	36w x 30h	6-31wCLED (24300 lumens)	33 lbs	9' Std	L623, L823, L611
	<input type="checkbox"/> PD-5213	48w x 36h	6-52wCLED (41856 lumens)	38 lbs	12' Std	L623, L823, L611
INCANDESCENT	<input type="checkbox"/> PD-5220	16w x 14h	3-60wA (2490 lumens)	13 lbs	3' Std	N250
	<input type="checkbox"/> PD-5200	24w x 18h	6-60wA (4980 lumens)	19 lbs	6' Std	N300
	<input type="checkbox"/> PD-5221	30w x 24h	8-60wA (6640 lumens)	23 lbs	9' Std	N300
	<input type="checkbox"/> PD-5201	36w x 30h	10-60wA (8300 lumens)	27 lbs	9' Std	N500
	<input type="checkbox"/> PD-5202	48w x 36h	12-60wA (9960 lumens)	32 lbs	12' Std	N500
FLUORESCENT	<input type="checkbox"/> PD-5230	16w x 14h	2-42wCFT (6400 lumens)	15 lbs	3' Std	DIM, IEM, REM, FUS*
	<input type="checkbox"/> PD-5203	24w x 18h	4-42wCFT (12800 lumens)	22 lbs	6' Std	L311
	<input type="checkbox"/> PD-5231	30w x 24h	6-42wCFT (19200 lumens)	25 lbs	9' Std	L311
	<input type="checkbox"/> PD-5204	36w x 30h	8-FT40w (26400 lumens)	29 lbs	9' Std	L611
	<input type="checkbox"/> PD-5205	48w x 36h	10-FT50w (43000 lumens)	34 lbs	12' Std	L611

~One Circuit Standard Wiring~

*All Fluorescent Fixtures
**All LED Fixtures

DIFFUSER	<input type="checkbox"/> BGA: Beige Alabaster Acrylic	<input type="checkbox"/> GRA: Green Edge Acrylic	<input type="checkbox"/> ECH: Etched*
	<input type="checkbox"/> NHA: Natural Horn Acrylic	<input type="checkbox"/> EGA: Earth Green Acrylic	*Etched option creates a matte, non-glossy finish on one side of the diffuser. (Example: WOA-ECH)
	<input type="checkbox"/> WHA: White Alabaster Acrylic	<input type="checkbox"/> DGA: Deep Gold Acrylic	
	<input type="checkbox"/> HNA: Honey Alabaster Acrylic	<input type="checkbox"/> SBA: Sea Blue Acrylic	
	<input type="checkbox"/> WOA: White Opal Acrylic	<input type="checkbox"/> PHA: Purple Haze Acrylic	

	SOLID BRASS FINISHES	PAINTED METAL FINISHES	ALUMINUM FINISHES	STAINLESS STEEL FINISHES
METAL FINISH	<input type="checkbox"/> ABB: Antique Brass	<input type="checkbox"/> DGP: Dark Green	<input type="checkbox"/> SAA: Satin Aluminum	<input type="checkbox"/> SSS: Satin
	<input type="checkbox"/> SBB: Satin Brass	<input type="checkbox"/> VGP: Verde Green	<input type="checkbox"/> SNA: Satin Nickel	<input type="checkbox"/> DSS: Distressed
	<input type="checkbox"/> PBB: Polished Brass	<input type="checkbox"/> CGP: Charcoal Gray	<input type="checkbox"/> PAA: Polished Aluminum	<input type="checkbox"/> PSS: Polished
	<input type="checkbox"/> ANB: Antique Nickel	<input type="checkbox"/> MBP: Medium Bronze	<input type="checkbox"/> BBA: Burnished Bronze	<input type="checkbox"/> HSS: Hammered
	<input type="checkbox"/> SNB: Satin Nickel	<input type="checkbox"/> SBP: Satin Black	<input type="checkbox"/> RNA: Red Naval Bronze	<input type="checkbox"/>
	<input type="checkbox"/> PNB: Polished Nickel	<input type="checkbox"/> DBP: Dark Bronze	<input type="checkbox"/> SGA: Satin Gold	<input type="checkbox"/>
	<input type="checkbox"/> AZB: Antique Bronze	<input type="checkbox"/> LBP: Light Bronze	<input type="checkbox"/> SBA: Satin Bronze	<input type="checkbox"/>
	<input type="checkbox"/> SZB: Satin Bronze	<input type="checkbox"/> MGP: Medium Gold	<input type="checkbox"/> ORA: Oil Rubbed Bronze	<input type="checkbox"/>
	<input type="checkbox"/> PZB: Polished Bronze	<input type="checkbox"/> SCP: Sponged Copper	<input type="checkbox"/> SCA: Satin Copper	<input type="checkbox"/>
	<input type="checkbox"/> CSB: Custom Brass*	<input type="checkbox"/> CSP: Custom Paint*	<input type="checkbox"/> CSA: Custom Aluminum*	<input type="checkbox"/>
	<input type="checkbox"/>			<input type="checkbox"/> CSS: Custom SS*
	<input type="checkbox"/>			<input type="checkbox"/>
	<input type="checkbox"/>			<input type="checkbox"/>
	<input type="checkbox"/>			<input type="checkbox"/>

OPTIONS	<input type="checkbox"/> N250: 250wPar38 Downlight	<input type="checkbox"/> L311: 3-11wCLED Uplight	<input type="checkbox"/> FUS: Fusing
	<input type="checkbox"/> N300: 300wPar56 Downlight	<input type="checkbox"/> L611: 6-11wCLED Uplight	<input type="checkbox"/> IEM: Integral Emer. Ballast
	<input type="checkbox"/> N500: 500wPar56 Downlight	<input type="checkbox"/> L423: 4-23wCLED Downlight	<input type="checkbox"/> DALI: Dali dimming LED
	<input type="checkbox"/> DIM: Dimming Ballast	<input type="checkbox"/> L623: 6-23wCLED Downlight	<input type="checkbox"/>
	<input type="checkbox"/> REM: Remote Emer. Ballast	<input type="checkbox"/> L823: 8-23wCLED Downlight	<input type="checkbox"/>
	<input type="checkbox"/>		<input type="checkbox"/>