



# Trollhime

## PD-4800~PD-4831

Our Trollhime fixtures are classic lights with stunning features guaranteed to add finesse and grace to the finest of interiors. The chandeliers and pendants feature real reeded tube arms at top, suspended from heavily embossed cast brass canopies. If you find the laser cutouts in the ring too austere for you interior, we can coordinate design work that incorporates building or school logos right into the ring itself totally customizing the light to its surroundings at minimal cost to you. Lamping and finish options will let you further tailor the fixture to your intents. Energy efficient and beautiful always.

### ~Trollhime Series~

- Chandelier: CH-4800~CH-4811
- Pendant: PD-4800~PD-4831
- Ceiling Mount: CL-4800~CL-4808
- Wall Mount: SC-4800~SC-4811
- Bollard: BL-4800~BL-4811

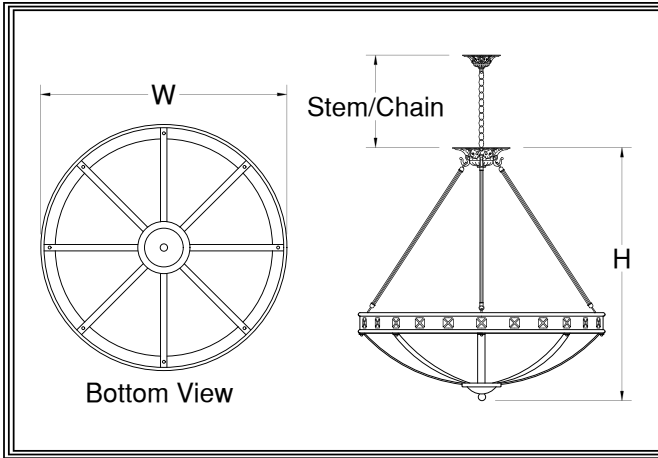
**Mounting:** Lightsmith fixtures mount to standard 4" octagon electrical boxes unless otherwise specified. All hardware and canopies supplied.

**Listing and Warranty:** Lightsmith fixtures are Underwriters Laboratories listed and carry a standard three year warranty against defects in materials and labor beginning at date of shipment.



## Fixture Specifications

PD-48	~	DIFFUSER (Example: BGA-ECH)	~	METAL FINISH (Example: ABB)	~	VOLTAGE <input type="checkbox"/> (120V) <input type="checkbox"/> (277V) <input type="checkbox"/> (347V)	~	STEM=S+Lgth (Example: S-96") CHAIN=C+Lgth (Example: C-96") NR=Not required	~	OPTIONS (Example: DIM, REM)	~	MODIFICATIONS (Example: Custom Paint) Use "Notes" Box At Top To Explain Modifications
-------	---	--------------------------------	---	--------------------------------	---	--	---	--	---	--------------------------------	---	---



PD-48

Fixture Number      Job Type

Job Name

Notes~Modifications

	Fixture Number	Dimensions	Lamping	Weight	Stem/Chain	Options
LED	<input type="checkbox"/> PD-4809	20w x 22h	6-10wCLED (7242 lumens)	31 lbs	3' Std	DALI,IEM,TPL,FUS**
	<input type="checkbox"/> PD-4810	24w x 26h	6-16wCLED (12720 lumens)	38 lbs	6' Std	L423,4AC,4SS
	<input type="checkbox"/> PD-4811	30w x 32h	9-16wCLED (19080 lumens)	44 lbs	9' Std	L623,4AC,4SS
	<input type="checkbox"/> PD-4812	36w x 38h	6-31wCLED (24300 lumens)	51 lbs	9' Std	L623,4AC,4SS
	<input type="checkbox"/> PD-4813	48w x 50h	6-52wCLED (41856 lumens)	68 lbs	12' Std	L823,4AC,4SS
INCANDESCENT	<input type="checkbox"/> PD-4820	20w x 22h	3-60wA (2490 lumens)	27 lbs	3' Std	N250,4AC,4SS
	<input type="checkbox"/> PD-4800	24w x 26h	6-60wA (4980 lumens)	34 lbs	6' Std	N300,4AC,4SS
	<input type="checkbox"/> PD-4821	30w x 32h	8-60wA (6640 lumens)	38 lbs	9' Std	N300,4AC,4SS
	<input type="checkbox"/> PD-4801	36w x 38h	10-60wA (8300 lumens)	44 lbs	9' Std	N500,4AC,4SS
	<input type="checkbox"/> PD-4802	48w x 50h	12-60wA (9960 lumens)	62 lbs	12' Std	N500,4AC,4SS
FLUORESCENT	<input type="checkbox"/> PD-4830	20w x 22h	2-42wCFT (6400 lumens)	29 lbs	3' Std	DIM,IEM,TPL,FUS*
	<input type="checkbox"/> PD-4803	24w x 26h	4-42wCFT (12800 lumens)	36 lbs	6' Std	F242,4AC,4SS
	<input type="checkbox"/> PD-4831	30w x 32h	6-42wCFT (19200 lumens)	42 lbs	9' Std	F242,4AC,4SS
	<input type="checkbox"/> PD-4804	36w x 38h	8-FT40w (26400 lumens)	48 lbs	9' Std	F442,4AC,4SS
	<input type="checkbox"/> PD-4805	48w x 50h	10-FT50w (43000 lumens)	65 lbs	12' Std	F442,4AC,4SS

~One Circuit Standard Wiring~

\*All Fluorescent Fixtures  
\*\*All LED Fixtures

DIFFUSER	DIFFUSER	DIFFUSER
<input type="checkbox"/> BGA: Beige Alabaster Acrylic	<input type="checkbox"/> GRA: Green Edge Acrylic	<input type="checkbox"/> ECH: Etched*
<input type="checkbox"/> NHA: Natural Horn Acrylic	<input type="checkbox"/> EGA: Earth Green Acrylic	*Etched option creates a matte, non-glossy finish on one side of the diffuser. (Example: WOA-ECH)
<input type="checkbox"/> WHA: White Alabaster Acrylic	<input type="checkbox"/> DGA: Deep Gold Acrylic	
<input type="checkbox"/> HNA: Honey Alabaster Acrylic	<input type="checkbox"/> SBA: Sea Blue Acrylic	
<input type="checkbox"/> WOA: White Opal Acrylic	<input type="checkbox"/> PHA: Purple Haze Acrylic	

METAL FINISH	METAL FINISH	METAL FINISH	METAL FINISH
<input type="checkbox"/> ABB: Antique Brass	<input type="checkbox"/> DGP: Dark Green	<input type="checkbox"/> SAA: Satin Aluminum	<input type="checkbox"/> SSS: Satin
<input type="checkbox"/> SBB: Satin Brass	<input type="checkbox"/> VGP: Verde Green	<input type="checkbox"/> SNA: Satin Nickel	<input type="checkbox"/> DSS: Distressed
<input type="checkbox"/> PBB: Polished Brass	<input type="checkbox"/> CGP: Charcoal Gray	<input type="checkbox"/> PAA: Polished Aluminum	<input type="checkbox"/> PSS: Polished
<input type="checkbox"/> ANB: Antique Nickel	<input type="checkbox"/> MBP: Medium Bronze	<input type="checkbox"/> BBA: Burnished Bronze	<input type="checkbox"/> HSS: Hammered
<input type="checkbox"/> SNB: Satin Nickel	<input type="checkbox"/> SBP: Satin Black	<input type="checkbox"/> RNA: Red Naval Bronze	
<input type="checkbox"/> PNB: Polished Nickel	<input type="checkbox"/> DBP: Dark Bronze	<input type="checkbox"/> SGA: Satin Gold	
<input type="checkbox"/> AZB: Antique Bronze	<input type="checkbox"/> LBP: Light Bronze	<input type="checkbox"/> SBA: Satin Bronze	
<input type="checkbox"/> SZB: Satin Bronze	<input type="checkbox"/> MGP: Medium Gold	<input type="checkbox"/> ORA: Oil Rubbed Bronze	
<input type="checkbox"/> PZB: Polished Bronze	<input type="checkbox"/> SCP: Sponged Copper	<input type="checkbox"/> SCA: Satin Copper	
<input type="checkbox"/> CSB: Custom Brass*	<input type="checkbox"/> CSP: Custom Paint*	<input type="checkbox"/> CSA: Custom Aluminum*	<input type="checkbox"/> CSS: Custom SS*

OPTIONS	OPTIONS	OPTIONS
<input type="checkbox"/> N250: 250wPar38 Downlight	<input type="checkbox"/> F242: 2-42wCFT Downlight	<input type="checkbox"/> FUS: Fusing
<input type="checkbox"/> N300: 300wPar56 Downlight	<input type="checkbox"/> F442: 4-42wCFT Downlight	<input type="checkbox"/> IEM: Integral Emer.Ballast
<input type="checkbox"/> N500: 500wPar56 Downlight	<input type="checkbox"/> L423: 4-23wCLED Downlight	<input type="checkbox"/> DALI: Dali dimming LED
<input type="checkbox"/> DIM: Dimming Ballast	<input type="checkbox"/> L623: 6-23wCLED Downlight	<input type="checkbox"/> 4AC: 4-Angled Chains
<input type="checkbox"/> TPL: Top Lens	<input type="checkbox"/> L823: 8-23wCLED Downlight	<input type="checkbox"/> 4SS: 4-Straight Stems