



Burthorpe

PD-4300~PD-4331

Our Burthorpe fixtures are quite massive. Rolled brass or aluminum rings are interlocked with straight bar stock staves in a unified frame that cascades into smaller frames bottom and top. Burthorpe looks great in larger areas with multi-column supports. The five stem suspension system looks very solid as it runs up into a tall ceiling. As always, colors and lamping options abound. LED lighting options are our newest addition to the Burthorpe lighting options package. 50,000 hour chips and heavy duty heatsinks make for a dependable, low maintenance, and very bright fixture.

~Burthorpe Series~

- Chandelier: CH-4341~CH-4373
- Pendant: PD-4300~PD-4331
- Ceiling Mount: CL-4301~CL-4325
- Wall Mount: SC-4301~SC-4331
- Bollard: BL-4301~BL-4325

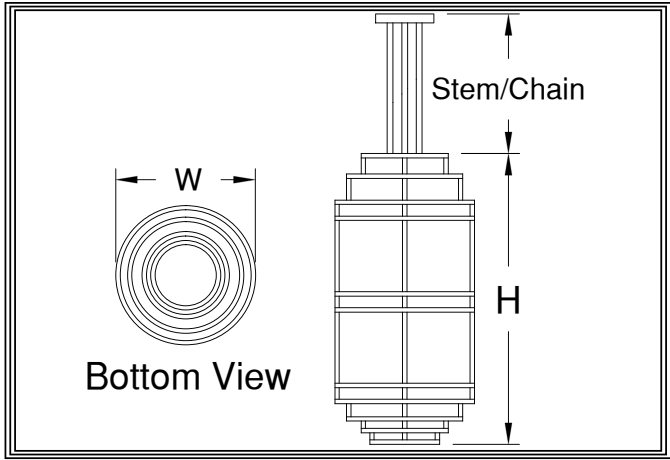
Mounting: Lightsmith fixtures mount to standard 4" octagon electrical boxes unless otherwise specified. All hardware and canopies supplied.

Listing and Warranty: Lightsmith fixtures are Underwriters Laboratories listed and carry a standard three year warranty against defects in materials and labor beginning at date of shipment.



Fixture Specifications

~
 ~
 ~
 ~
 ~
 ~



Fixture Number Job Type

 Job Name

 Notes~Modifications

	Fixture Number	Dimensions	Lamping	Weight	Stem/Chain	Options
LED	<input type="checkbox"/> PD-4309	14w x 30h	2-13wLLED/1-23wCLED	32 lbs	3' Std	DALI, IEM, FUS**
	<input type="checkbox"/> PD-4310	17w x 36h	4-13wLLED/1-38wCLED	40 lbs	6' Std	L423, L311
	<input type="checkbox"/> PD-4311	18w x 39h	6-13wLLED/1-38wCLED	45 lbs	9' Std	L623, L311
	<input type="checkbox"/> PD-4312	20w x 42h	12-13wLLED/1-52wCLED	50 lbs	9' Std	L823, L611
	<input type="checkbox"/> PD-4313	24w x 50h	18-13wLLED/1-52wCLED	66 lbs	12' Std	L823, L611
INCANDESCENT	<input type="checkbox"/> PD-4320	14w x 30h	3-75wA/1-150wA	28 lbs	3' Std	N250
	<input type="checkbox"/> PD-4300	17w x 36h	8-75wA/1-250wP38	36 lbs	6' Std	N300
	<input type="checkbox"/> PD-4321	18w x 39h	10-75wA/1-250wP38	41 lbs	9' Std	N300
	<input type="checkbox"/> PD-4301	20w x 42h	12-75wA/1-500wR40	46 lbs	9' Std	N500
	<input type="checkbox"/> PD-4302	24w x 50h	15-75wA/1-500wR40	62 lbs	12' Std	N500
FLUORESCENT	<input type="checkbox"/> PD-4330	14w x 30h	2-42wCFT/1-42wCFTdn	31 lbs	3' Std	DIM, IEM, REM, FUS*
	<input type="checkbox"/> PD-4303	17w x 36h	2-42wCFT/2-42wCFTdn	39 lbs	6' Std	L311
	<input type="checkbox"/> PD-4331	18w x 39h	4-42wCFT/2-42wCFTdn	44 lbs	9' Std	L311
	<input type="checkbox"/> PD-4304	20w x 42h	6-FT40w/4-42wCFTdn	49 lbs	9' Std	L611
	<input type="checkbox"/> PD-4305	24w x 50h	6-FT50w/4-42wCFTdn	65 lbs	12' Std	L611

*Two Circuits Standard Wiring-

*All Fluorescent Fixtures
**All LED Fixtures

- | | | | |
|----------|---|---|---|
| DIFFUSER | <input type="checkbox"/> BGA: Beige Alabaster Acrylic | <input type="checkbox"/> GRA: Green Edge Acrylic | <input type="checkbox"/> ECH: Etched*
<i>*Etched option creates a matte, non-glossy finish on one side of the diffuser. (Example: WOA-ECH)</i> |
| | <input type="checkbox"/> NHA: Natural Horn Acrylic | <input type="checkbox"/> EGA: Earth Green Acrylic | |
| | <input type="checkbox"/> WHA: White Alabaster Acrylic | <input type="checkbox"/> DGA: Deep Gold Acrylic | |
| | <input type="checkbox"/> HNA: Honey Alabaster Acrylic | <input type="checkbox"/> SBA: Sea Blue Acrylic | |
| | <input type="checkbox"/> WOA: White Opal Acrylic | <input type="checkbox"/> PHA: Purple Haze Acrylic | |

	SOLID BRASS FINISHES	PAINTED METAL FINISHES	ALUMINUM FINISHES	STAINLESS STEEL FINISHES
METAL FINISH	<input type="checkbox"/> ABB: Antique Brass	<input type="checkbox"/> DGP: Dark Green	<input type="checkbox"/> SAA: Satin Aluminum	<input type="checkbox"/> SSS: Satin
	<input type="checkbox"/> SBB: Satin Brass	<input type="checkbox"/> VGP: Verde Green	<input type="checkbox"/> SNA: Satin Nickel	<input type="checkbox"/> DSS: Distressed
	<input type="checkbox"/> PBB: Polished Brass	<input type="checkbox"/> CGP: Charcoal Gray	<input type="checkbox"/> PAA: Polished Aluminum	<input type="checkbox"/> PSS: Polished
	<input type="checkbox"/> ANB: Antique Nickel	<input type="checkbox"/> MBP: Medium Bronze	<input type="checkbox"/> BBA: Burnished Bronze	<input type="checkbox"/> HSS: Hammered
	<input type="checkbox"/> SNB: Satin Nickel	<input type="checkbox"/> SBP: Satin Black	<input type="checkbox"/> RNA: Red Naval Bronze	
	<input type="checkbox"/> PNB: Polished Nickel	<input type="checkbox"/> DBP: Dark Bronze	<input type="checkbox"/> SGA: Satin Gold	
	<input type="checkbox"/> AZB: Antique Bronze	<input type="checkbox"/> LBP: Light Bronze	<input type="checkbox"/> SBA: Satin Bronze	
	<input type="checkbox"/> SZB: Satin Bronze	<input type="checkbox"/> MGP: Medium Gold	<input type="checkbox"/> ORA: Oil Rubbed Bronze	
	<input type="checkbox"/> PZB: Polished Bronze	<input type="checkbox"/> SCP: Sponged Copper	<input type="checkbox"/> SCA: Satin Copper	
	<input type="checkbox"/> CSB: Custom Brass*	<input type="checkbox"/> CSP: Custom Paint*	<input type="checkbox"/> CSA: Custom Aluminum*	<input type="checkbox"/> CSS: Custom SS*

- | | | | |
|---------|--|--|---|
| OPTIONS | <input type="checkbox"/> N250: 250wPar38 Downlight | <input type="checkbox"/> L311: 3-11wCLED Uplight | <input type="checkbox"/> FUS: Fusing |
| | <input type="checkbox"/> N300: 300wPar56 Downlight | <input type="checkbox"/> L611: 6-11wCLED Uplight | <input type="checkbox"/> IEM: Integral Emer.Ballast |
| | <input type="checkbox"/> N500: 500wPar56 Downlight | <input type="checkbox"/> L423: 4-23wCLED Downlight | <input type="checkbox"/> DALI: Dali dimming LED |
| | <input type="checkbox"/> DIM: Dimming Ballast | <input type="checkbox"/> L623: 6-23wCLED Downlight | |
| | <input type="checkbox"/> REM: Remote Emer.Ballast | <input type="checkbox"/> L823: 8-23wCLED Downlight | |