



# Brimhaven

## PD-3900~PD-3931

Our Brimhaven pendants are meant for large classical rooms, opera houses, banks, school auditoriums, and performance halls. Their 1930's styling is sort of an abstract neo-classical design with repeating arcs and tapers. We offer true cut-glass panels in this fixture as well as solid brass and aluminum constructions. You will find that these lights are available in tremendous sizes. Customs are available to 18 foot diameters if you are so inclined. The crystal-ball is standard! Colors are optional, as is lamping. We can make matching sconces and ceiling fixtures as needed.

### ~Brimhaven Series~

Chandelier: CH-3900~CH-3911

Pendant: PD-3900~PD-3931

Ceiling Mount: CL-3900~CL-3908

Wall Mount: SC-3900~SC-3911

Bollard: BL-3900~BL-3911

**Mounting:** Lightsmith fixtures mount to standard 4" octagon electrical boxes unless otherwise specified. All hardware and canopies supplied.

**Listing and Warranty:** Lightsmith fixtures are Underwriters Laboratories listed and carry a standard three year warranty against defects in materials and labor beginning at date of shipment.



## Fixture Specifications

PD-39

FIXTURE NUMBER  
(Example: PD-3900)

DIFFUSER  
(Example: BGA-ECH)

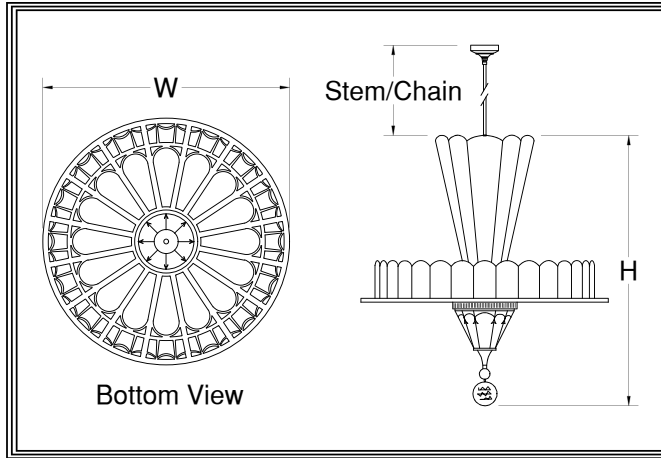
METAL FINISH  
(Example: ABB)

VOLTAGE  
 (120V)  
 (277V)  
 (347V)

STEM=S+Lgth  
(Example: S-96")  
CHAIN=C+Lgth  
(Example: C-96")  
NR=Not required

OPTIONS  
(Example: DIM, REM)

MODIFICATIONS  
(Example: Custom Paint\*)  
Use "Notes" Box At Top To Explain Modifications



PD-39

Fixture Number      Job Type

Job Name

Notes~Modifications

	Fixture Number	Dimensions	Lamping	Weight	Stem/Chain	Options
LED	<input type="checkbox"/> PD-3909	26w x 29h	8-13wCLED	60 lbs	3' Std	DALI,IEM,TPL,FUS**
	<input type="checkbox"/> PD-3910	33w x 36h	8-23wCLED	75 lbs	6' Std	L423,L623
	<input type="checkbox"/> PD-3911	41w x 45h	12-23wCLED	114 lbs	9' Std	L423,L623,L311
	<input type="checkbox"/> PD-3012	49w x 54h	16-23wCLED	152 lbs	9' Std	L623,L823,L611
	<input type="checkbox"/> PD-3913	66w x 72h	24-23wCLED	305 lbs	12' Std	L623,L823,L611
INCANDESCENT	<input type="checkbox"/> PD-3920	26w x 29h	8-60wA	46 lbs	3' Std	N250
	<input type="checkbox"/> PD-3900	33w x 36h	8-100wA	58 lbs	6' Std	N300
	<input type="checkbox"/> PD-3921	41w x 45h	8-150wA	87 lbs	9' Std	N300
	<input type="checkbox"/> PD-3901	49w x 54h	16-150wA	116 lbs	9' Std	N500
	<input type="checkbox"/> PD-3902	66w x 72h	24-150wA	232 lbs	12' Std	N500
FLUORESCENT	<input type="checkbox"/> PD-3930	26w x 29h	8-26wCFT	55 lbs	3' Std	DIM,IEM,TPL,FUS*
	<input type="checkbox"/> PD-3903	33w x 36h	8-32wCFT	69 lbs	6' Std	F242
	<input type="checkbox"/> PD-3931	41w x 45h	12-42wCFT	104 lbs	9' Std	F242
	<input type="checkbox"/> PD-3904	49w x 54h	16-42wCFT	139 lbs	9' Std	F442
	<input type="checkbox"/> PD-3905	66w x 72h	24-42wCFT	278 lbs	12' Std	F442

~Two Circuit Standard Wiring~

\*All Fluorescent Fixtures  
\*\*All LED Fixtures

DIFFUSER	<input type="checkbox"/> BGA: Beige Alabaster Acrylic	<input type="checkbox"/> GRA: Green Edge Acrylic	<input type="checkbox"/> ECH: Etched*
	<input type="checkbox"/> NHA: Natural Horn Acrylic	<input type="checkbox"/> EGA: Earth Green Acrylic	*Etched option creates a matte, non-glossy finish on one side of the diffuser. (Example: WOA-ECH)
	<input type="checkbox"/> WHA: White Alabaster Acrylic	<input type="checkbox"/> DGA: Deep Gold Acrylic	
	<input type="checkbox"/> HNA: Honey Alabaster Acrylic	<input type="checkbox"/> WOG: White Opal Glass	
	<input type="checkbox"/> WOA: White Opal Acrylic	<input type="checkbox"/> SOG: Streaked Opal Glass	

	SOLID BRASS FINISHES	PAINTED METAL FINISHES	ALUMINUM FINISHES	STAINLESS STEEL FINISHES
METAL FINISH	<input type="checkbox"/> ABB: Antique Brass	<input type="checkbox"/> DGP: Dark Green	<input type="checkbox"/> SAA: Satin Aluminum	<input type="checkbox"/> SSS: Satin
	<input type="checkbox"/> SBB: Satin Brass	<input type="checkbox"/> VGP: Verde Green	<input type="checkbox"/> SNA: Satin Nickel	<input type="checkbox"/> DSS: Distressed
	<input type="checkbox"/> PBB: Polished Brass	<input type="checkbox"/> CGP: Charcoal Gray	<input type="checkbox"/> PAA: Polished Aluminum	<input type="checkbox"/> PSS: Polished
	<input type="checkbox"/> ANB: Antique Nickel	<input type="checkbox"/> MBP: Medium Bronze	<input type="checkbox"/> BBA: Burnished Bronze	<input type="checkbox"/> HSS: Hammered
	<input type="checkbox"/> SNB: Satin Nickel	<input type="checkbox"/> SBP: Satin Black	<input type="checkbox"/> RNA: Red Naval Bronze	
	<input type="checkbox"/> PNB: Polished Nickel	<input type="checkbox"/> DBP: Dark Bronze	<input type="checkbox"/> SGA: Satin Gold	
	<input type="checkbox"/> AZB: Antique Bronze	<input type="checkbox"/> LBP: Light Bronze	<input type="checkbox"/> SBA: Satin Bronze	
	<input type="checkbox"/> SZB: Satin Bronze	<input type="checkbox"/> MGP: Medium Gold	<input type="checkbox"/> ORA: Oil Rubbed Bronze	
	<input type="checkbox"/> PZB: Polished Bronze	<input type="checkbox"/> SCP: Sponged Copper	<input type="checkbox"/> SCA: Satin Copper	
	<input type="checkbox"/> CSB: Custom Brass*	<input type="checkbox"/> CSP: Custom Paint*	<input type="checkbox"/> CSA: Custom Aluminum*	<input type="checkbox"/> CSS: Custom SS*

OPTIONS	<input type="checkbox"/> N250: 250wPar38 Downlight	<input type="checkbox"/> L311: 3-11wCLED Uplight	<input type="checkbox"/> FUS: Fusing
	<input type="checkbox"/> N300: 300wPar56 Downlight	<input type="checkbox"/> L611: 6-11wCLED Uplight	<input type="checkbox"/> IEM: Integral Emer.Ballast
	<input type="checkbox"/> N500: 500wPar56 Downlight	<input type="checkbox"/> L423: 4-23wCLED Downlight	<input type="checkbox"/> DALI: Dali dimming LED
	<input type="checkbox"/> DIM: Dimming Ballast	<input type="checkbox"/> L623: 6-23wCLED Downlight	<input type="checkbox"/> F242: 2-42wCFT Downlight
	<input type="checkbox"/> TPL: Top Lens	<input type="checkbox"/> L823: 8-23wCLED Downlight	<input type="checkbox"/> F442: 4-42wCFT Downlight