



Theeter

PD-3800~PD-3831

Our Theeter fixtures are simple and attractive bowl designs. They feature a large two-step spun upper trim ring and curving metal straps that cradle a smooth bowl. We recommend the top lens option as a way to completely discourage your local bug population. And be aware of the optional downlight should the need arise. Our metal finishes are as complete as you could imagine, ranging from solid satin brass to polished aluminum. The acrylics we use are just as nice; and our lamping options give you the opportunity to install trouble free modular LED lighting.

~Theeter Series~

- Chandelier: CH-3800~CH-3811
- Pendant: PD-3800~PD-3831
- Ceiling Mount: CL-3800~CL-3808
- Wall Mount: SC-3800~SC-3811
- Bollard: BL-3800~BL-3811

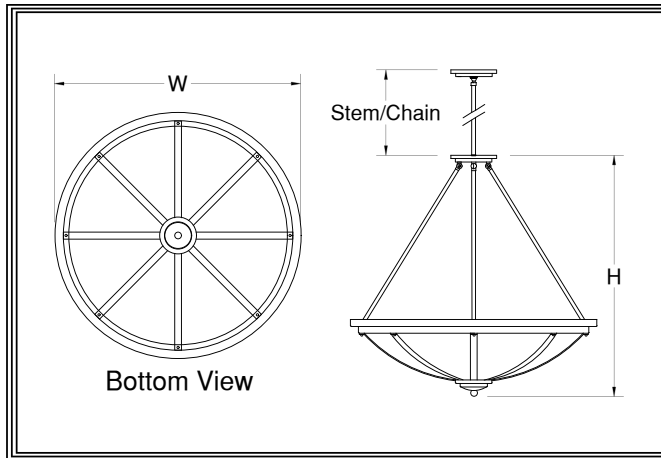
Mounting: Lightsmith fixtures mount to standard 4" octagon electrical boxes unless otherwise specified. All hardware and canopies supplied.

Listing and Warranty: Lightsmith fixtures are Underwriters Laboratories listed and carry a standard three year warranty against defects in materials and labor beginning at date of shipment.



Fixture Specifications

PD-38 <small>FIXTURE NUMBER (Example: PD-3800)</small>	~	<small>DIFFUSER (Example: BGA-ECH)</small>	~	<small>METAL FINISH (Example: ABB)</small>	~	<small>VOLTAGE <input type="checkbox"/> (120V) <input type="checkbox"/> (277V) <input type="checkbox"/> (347V) </small>	~	<small>STEM=S+Lgth (Example: S-96") CHAIN=C+Lgth (Example: C-96") NR=Not required </small>	~	<small>OPTIONS (Example: DIM, REM)</small>	~	<small>MODIFICATIONS (Example: Custom Paint) Use "Notes" Box At Top To Explain Modifications </small>
--	---	--	---	--	---	--	---	--	---	--	---	--



PD-38 Job Type

Fixture Number

Job Name

Notes~Modifications

	Fixture Number	Dimensions	Lamping	Weight	Stem/Chain	Options
LED	<input type="checkbox"/> PD-3809	21w x 24h	4-13wCLED	21 lbs	3' Std	DALI, IEM, TPL, FUS**
	<input type="checkbox"/> PD-3810	27w x 30h	6-13wCLED	25 lbs	6' Std	L423
	<input type="checkbox"/> PD-3811	34w x 38h	4-23wCLED	31 lbs	9' Std	L623
	<input type="checkbox"/> PD-3812	40w x 44h	4-38wCLED	36 lbs	9' Std	L623
	<input type="checkbox"/> PD-3813	48w x 52h	6-52wCLED	47 lbs	12' Std	L823
INCANDESCENT	<input type="checkbox"/> PD-3820	21w x 24h	3-100wA	18 lbs	3' Std	N250
	<input type="checkbox"/> PD-3800	27w x 30h	3-150wA	22 lbs	6' Std	N300
	<input type="checkbox"/> PD-3821	34w x 38h	6-100wA	28 lbs	9' Std	N300
	<input type="checkbox"/> PD-3801	40w x 44h	6-150wA	33 lbs	9' Std	N500
	<input type="checkbox"/> PD-3802	48w x 52h	12-150wA	44 lbs	12' Std	N500
FLUORESCENT	<input type="checkbox"/> PD-3830	21w x 24h	2-42wCFT	20 lbs	3' Std	DIM, IEM, TPL, FUS*
	<input type="checkbox"/> PD-3803	27w x 30h	4-42wCFT	24 lbs	6' Std	F242
	<input type="checkbox"/> PD-3831	34w x 38h	6-42wCFT	30 lbs	9' Std	F242
	<input type="checkbox"/> PD-3804	40w x 44h	6-FT40w	35 lbs	9' Std	F442
	<input type="checkbox"/> PD-3805	48w x 52h	8-FT50w	46 lbs	12' Std	F442

~Two Circuits Standard Wiring~

*All Fluorescent Fixtures
**All LED Fixtures

DIFFUSER	<input type="checkbox"/> BGA: Beige Alabaster Acrylic	<input type="checkbox"/> GRA: Green Edge Acrylic	<input type="checkbox"/> ECH: Etched*
	<input type="checkbox"/> NHA: Natural Horn Acrylic	<input type="checkbox"/> EGA: Earth Green Acrylic	<i>*Etched option creates a matte, non-glossy finish on one side of the diffuser. (Example: WOA-ECH)</i>
	<input type="checkbox"/> WHA: White Alabaster Acrylic	<input type="checkbox"/> DGA: Deep Gold Acrylic	
	<input type="checkbox"/> HNA: Honey Alabaster Acrylic	<input type="checkbox"/> SBA: Sea Blue Acrylic	
	<input type="checkbox"/> WOA: White Opal Acrylic	<input type="checkbox"/> PHA: Purple Haze Acrylic	

	SOLID BRASS FINISHES	PAINTED METAL FINISHES	ALUMINUM FINISHES	STAINLESS STEEL FINISHES
METAL FINISH	<input type="checkbox"/> ABB: Antique Brass	<input type="checkbox"/> DGP: Dark Green	<input type="checkbox"/> SAA: Satin Aluminum	<input type="checkbox"/> SSS: Satin
	<input type="checkbox"/> SBB: Satin Brass	<input type="checkbox"/> VGP: Verde Green	<input type="checkbox"/> SNA: Satin Nickel	<input type="checkbox"/> DSS: Distressed
	<input type="checkbox"/> PBB: Polished Brass	<input type="checkbox"/> CGP: Charcoal Gray	<input type="checkbox"/> PAA: Polished Aluminum	<input type="checkbox"/> PSS: Polished
	<input type="checkbox"/> ANB: Antique Nickel	<input type="checkbox"/> MBP: Medium Bronze	<input type="checkbox"/> BBA: Burnished Bronze	<input type="checkbox"/> HSS: Hammered
	<input type="checkbox"/> SNB: Satin Nickel	<input type="checkbox"/> SBP: Satin Black	<input type="checkbox"/> RNA: Red Naval Bronze	<input type="checkbox"/>
	<input type="checkbox"/> PNB: Polished Nickel	<input type="checkbox"/> DBP: Dark Bronze	<input type="checkbox"/> SGA: Satin Gold	<input type="checkbox"/>
	<input type="checkbox"/> AZB: Antique Bronze	<input type="checkbox"/> LBP: Light Bronze	<input type="checkbox"/> SBA: Satin Bronze	<input type="checkbox"/>
	<input type="checkbox"/> SZB: Satin Bronze	<input type="checkbox"/> MGP: Medium Gold	<input type="checkbox"/> ORA: Oil Rubbed Bronze	<input type="checkbox"/>
	<input type="checkbox"/> PZB: Polished Bronze	<input type="checkbox"/> SCP: Sponged Copper	<input type="checkbox"/> SCA: Satin Copper	<input type="checkbox"/>
	<input type="checkbox"/> CSB: Custom Brass*	<input type="checkbox"/> CSP: Custom Paint*	<input type="checkbox"/> CSA: Custom Aluminum*	<input type="checkbox"/> CSS: Custom SS*

OPTIONS	<input type="checkbox"/> N250: 250wPar38 Downlight	<input type="checkbox"/> F242: 2-42wCFT Downlight	<input type="checkbox"/> FUS: Fusing
	<input type="checkbox"/> N300: 300wPar56 Downlight	<input type="checkbox"/> F442: 4-42wCFT Downlight	<input type="checkbox"/> IEM: Integral Emer.Ballast
	<input type="checkbox"/> N500: 500wPar56 Downlight	<input type="checkbox"/> L423: 4-23wCLED Downlight	<input type="checkbox"/> DALI: Dali dimming LED
	<input type="checkbox"/> DIM: Dimming Ballast	<input type="checkbox"/> L623: 6-23wCLED Downlight	<input type="checkbox"/>
	<input type="checkbox"/> TPL: Top Lens	<input type="checkbox"/> L823: 8-23wCLED Downlight	<input type="checkbox"/>