



Taverly

SC-3500~SC-3511

Our Taverly fixtures are very contemporary blends of acrylics and interlocking metal frames. The linear nature of these lights makes them fit easily into spaces with tall ceilings and columns. Take advantage of our various downlight and uplight options to get as much light as you need to the floor below or ceiling above. You will find these fixtures not only look good, they are real workhorses, too. As always you will find multiple lamping options and finishes in both acrylics and metals. Wet location mounting available in many models. Much light in a slender package! .

~Taverly Series~

- Chandelier: CH-3500~CH-3511
- Pendant: PD-3500~PD-3531
- Ceiling Mount: CL-3500~CL-3508
- Wall Mount: SC-3500~SC-3511
- Bollard: BL-3500~BL-3511

Mounting: Lightsmith fixtures mount to standard 4" octagon electrical boxes unless otherwise specified. All hardware and canopies supplied.

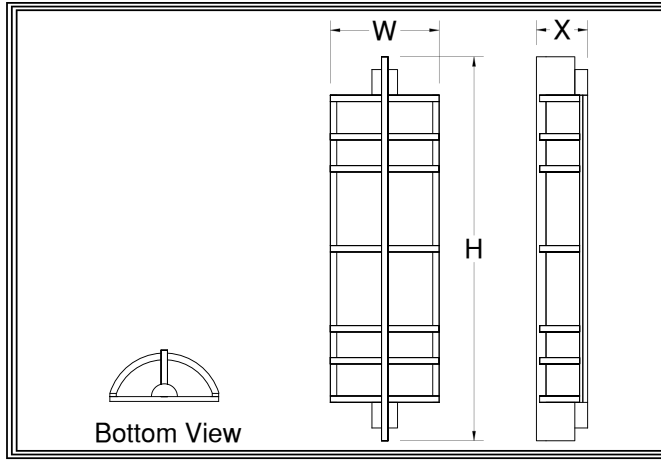
Listing and Warranty: Lightsmith fixtures are Underwriters Laboratories listed and carry a standard three year warranty against defects in materials and labor beginning at date of shipment.



Fixture Specifications

SC-35 _____ ~ _____ ~ _____ ~ _____ ~ NR ~ _____ ~ _____

FIXTURE NUMBER (Example: SC-3500) DIFFUSER (Example: BGA-ECH) METAL FINISH (Example: ABB) VOLTAGE (120V, 277V, 347V) STEM=S+Lgth (Example: S-96") CHAIN=C+Lgth (Example: C-96") NR=Not required OPTIONS (Example: DIM,IEM) MODIFICATIONS (Example: Custom Paint*) Use "Notes" Box At Top To Explain Modifications



SC-35 _____ _____

Fixture Number Job Type

Job Name

Notes~Modifications

	Fixture Number	Dimensions	Lamping	Weight	Options
LED	<input type="checkbox"/> SC-3509	8w x 24h x 4x*	2-13wLED (2820 lumens)	8 lbs	L111,WLM
	<input type="checkbox"/> SC-3510	10w x 30h x 5x	3-13wLED (4230 lumens)	12 lbs	L113,WLM
	<input type="checkbox"/> SC-3511	12w x 36h x 6x	4-13wLED (5640 lumens)	15 lbs	L123,WLM DALI,IEM,FUS**
INCANDESCENT	<input type="checkbox"/> SC-3500	8w x 24h x 4x*	2-60wT10 (1600 lumens)	6 lbs	WLM
	<input type="checkbox"/> SC-3501	10w x 30h x 5x	3-60wA (2400 lumens)	9 lbs	WLM
	<input type="checkbox"/> SC-3502	12w x 36h x 6x	4-60wA (3200 lumens)	12 lbs	WLM
FLUORESCENT	<input type="checkbox"/> SC-3503	8w x 24h x 4x*	2-FT24w (3600 lumens)	8 lbs	L111,WLM
	<input type="checkbox"/> SC-3504	10w x 30h x 5x	2-FT36w (5800 lumens)	11 lbs	L113,WLM
	<input type="checkbox"/> SC-3505	12w x 36h x 6x	2-FT40w (6600 lumens)	14 lbs	L123,WLM DIM,IEM,FUS*

*ADA Fixture

~Single Circuit Standard Wiring~

*All Fluorescent Fixtures
**All LED Fixtures

DIFFUSER	<input type="checkbox"/> BGA: Beige Alabaster Acrylic	<input type="checkbox"/> GRA: Green Edge Acrylic	<input type="checkbox"/> ECH: Etched*
	<input type="checkbox"/> NHA: Natural Horn Acrylic	<input type="checkbox"/> EGA: Earth Green Acrylic	*Etched option creates a matte, non-glossy finish on one side of the diffuser. (Example: WOA-ECH)
	<input type="checkbox"/> WHA: White Alabaster Acrylic	<input type="checkbox"/> DGA: Deep Gold Acrylic	
	<input type="checkbox"/> HNA: Honey Alabaster Acrylic	<input type="checkbox"/> SBA: Sea Blue Acrylic	
	<input type="checkbox"/> WOA: White Opal Acrylic	<input type="checkbox"/> PHA: Purple Haze Acrylic	

	SOLID BRASS FINISHES	PAINTED METAL FINISHES	ALUMINUM FINISHES	STAINLESS STEEL FINISHES
METAL FINISH	<input type="checkbox"/> ABB: Antique Brass	<input type="checkbox"/> DGP: Dark Green	<input type="checkbox"/> SAA: Satin Aluminum	<input type="checkbox"/> SSS: Satin
	<input type="checkbox"/> SBB: Satin Brass	<input type="checkbox"/> VGP: Verde Green	<input type="checkbox"/> SNA: Satin Nickel	<input type="checkbox"/> DSS: Distressed
	<input type="checkbox"/> PBB: Polished Brass	<input type="checkbox"/> CGP: Charcoal Gray	<input type="checkbox"/> PAA: Polished Aluminum	<input type="checkbox"/> PSS: Polished
	<input type="checkbox"/> ANB: Antique Nickel	<input type="checkbox"/> MBP: Medium Bronze	<input type="checkbox"/> BBA: Burnished Bronze	<input type="checkbox"/> HSS: Hammered
	<input type="checkbox"/> SNB: Satin Nickel	<input type="checkbox"/> SBP: Satin Black	<input type="checkbox"/> RNA: Red Naval Bronze	<input type="checkbox"/>
	<input type="checkbox"/> PNB: Polished Nickel	<input type="checkbox"/> DBP: Dark Bronze	<input type="checkbox"/> SGA: Satin Gold	<input type="checkbox"/>
	<input type="checkbox"/> AZB: Antique Bronze	<input type="checkbox"/> LBP: Light Bronze	<input type="checkbox"/> SBA: Satin Bronze	<input type="checkbox"/>
	<input type="checkbox"/> SZB: Satin Bronze	<input type="checkbox"/> MGP: Medium Gold	<input type="checkbox"/> ORA: Oil Rubbed Bronze	<input type="checkbox"/>
	<input type="checkbox"/> PZB: Polished Bronze	<input type="checkbox"/> SCP: Sponged Copper	<input type="checkbox"/> SCA: Satin Copper	<input type="checkbox"/>
	<input type="checkbox"/> CSB: Custom Brass*	<input type="checkbox"/> CSP: Custom Paint*	<input type="checkbox"/> CSA: Custom Aluminum*	<input type="checkbox"/>
	<input type="checkbox"/>			<input type="checkbox"/>
	<input type="checkbox"/>			<input type="checkbox"/>
	<input type="checkbox"/>			<input type="checkbox"/>
	<input type="checkbox"/>			<input type="checkbox"/>

OPTIONS	<input type="checkbox"/> L111: 1-11wCLED Uplight	<input type="checkbox"/> DIM: Dimming Ballast	<input type="checkbox"/> FUS: Fusing
	<input type="checkbox"/> L113: 1-13wCLED Uplight	<input type="checkbox"/> IEM: Integral Emer.Ballast	<input type="checkbox"/> DALI: Dali dimming LED
	<input type="checkbox"/> L123: 1-23wCLED Uplight	<input type="checkbox"/> WLM: Wet Location Mounting	<input type="checkbox"/>
	<input type="checkbox"/>	<input type="checkbox"/>	<input type="checkbox"/>
	<input type="checkbox"/>	<input type="checkbox"/>	<input type="checkbox"/>