



Mage

SC-3400~SC-3411

Our Mage fixtures are straight lined blends of cylindrical acrylic and interlocking metal frames. The linear nature of these lights makes them fit easily into spaces with tall ceilings and columns. Take advantage of our various lamping options to get as much light as you need to the floor below. Mage fixtures are available in multiple materials and lampings. The cylinder can be Sea Blue (SBA). The frame can be Polished Brass (PBB). We love making combinations of colors and metals that we have not done before. Go ahead and try to catch us off guard. Use our LED systems for longevity!

~Mage Series~

- Chandelier: CH-3400~CH-3411
- Pendant: PD-3400~PD-3431
- Ceiling Mount: CL-3400~CL-3408
- Wall Mount: SC-3400~SC-3411
- Bollard: BL-3400~BL-3411

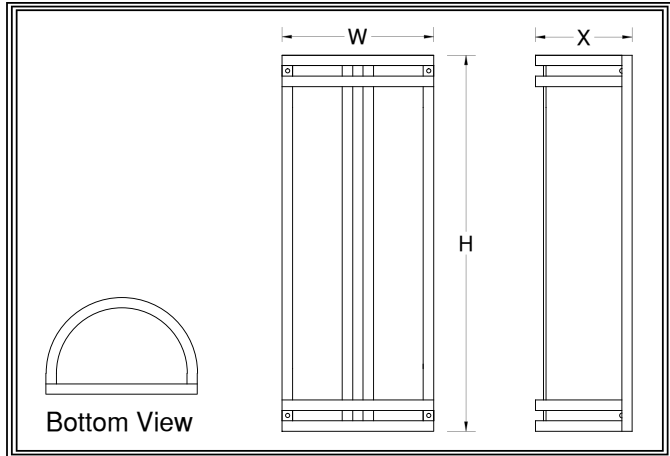
Mounting: Lightsmith fixtures mount to standard 4" octagon electrical boxes unless otherwise specified. All hardware and canopies supplied.

Listing and Warranty: Lightsmith fixtures are Underwriters Laboratories listed and carry a standard three year warranty against defects in materials and labor beginning at date of shipment.



Fixture Specifications

SC-34 <small>FIXTURE NUMBER (Example: SC-3400)</small>	~	<small>DIFFUSER (Example: BGA-ECH)</small>	~	<small>METAL FINISH (Example: ABB)</small>	~	<small>VOLTAGE</small> <input type="checkbox"/> (120V) <input type="checkbox"/> (277V) <input type="checkbox"/> (347V)	~	NR <small>STEM=S+Lgth (Example:S-96") CHAIN=C+Lgth (Example:C-96") NR=Not required</small>	~	<small>OPTIONS (Example: DIM, REM)</small>	~	<small>MODIFICATIONS (Example: Custom Paint) Use "Notes" Box At Top To Explain Modifications</small>
--	---	--	---	--	---	---	---	--	---	--	---	---



SC-34 Job Type

Fixture Number

Job Name

Notes~Modifications

	Fixture Number	Dimensions	Lamping	Weight	Options
LED	<input type="checkbox"/> SC-3409	7w x 16h x 4x*	2-13wLED (2820 lumens)	4 lbs	L211,WLM,TPL
	<input type="checkbox"/> SC-3410	9w x 20h x 5x	4-13wLED (5640 lumens)	6 lbs	L213,WLM,TPL,IEM
	<input type="checkbox"/> SC-3411	11w x 24h x 6x	6-13wLED (8460 lumens)	8 lbs	L223,WLM,TPL,IEM DALI,REM,FUS**
INCANDESCENT	<input type="checkbox"/> SC-3400	7w x 16h x 4x*	2-60wA (1600 lumens)	3 lbs	WLM
	<input type="checkbox"/> SC-3401	9w x 20h x 5x	3-60wA (2400 lumens)	5 lbs	WLM
	<input type="checkbox"/> SC-3402	11w x 24h x 6x	4-60wA (3200 lumens)	7 lbs	WLM
FLUORESCENT	<input type="checkbox"/> SC-3403	7w x 16h x 4x*	2-18wCFQ (2400 lumens)	4 lbs	WLM,TPL
	<input type="checkbox"/> SC-3404	9w x 20h x 5x	2-26wCFQ (3600 lumens)	6 lbs	WLM,TPL,IEM
	<input type="checkbox"/> SC-3405	11w x 24h x 6x	2-FT40w (6600 lumens)	8 lbs	WLM,TPL,IEM DIM,REM,FUS*

*ADA Fixture ~Single Circuit Standard Wiring~ *All Fluorescent Fixtures
**All LED Fixtures

- | | | |
|---|---|---|
| <p style="text-align: center;">DIFFUSER</p> <ul style="list-style-type: none"> <input type="checkbox"/> BGA: Beige Alabaster Acrylic <input type="checkbox"/> NHA: Natural Horn Acrylic <input type="checkbox"/> WHA: White Alabaster Acrylic <input type="checkbox"/> HNA: Honey Alabaster Acrylic <input type="checkbox"/> WOA: White Opal Acrylic | <p style="text-align: center;">DIFFUSER</p> <ul style="list-style-type: none"> <input type="checkbox"/> GRA: Green Edge Acrylic <input type="checkbox"/> EGA: Earth Green Acrylic <input type="checkbox"/> DGA: Deep Gold Acrylic <input type="checkbox"/> SBA: Sea Blue Acrylic <input type="checkbox"/> PHA: Purple Haze Acrylic | <p style="text-align: center;">DIFFUSER</p> <ul style="list-style-type: none"> <input type="checkbox"/> ECH: Etched* <p><i>*Etched option creates a matte, non-glossy finish on one side of the diffuser. (Example: WOA-ECH)</i></p> |
|---|---|---|

	SOLID BRASS FINISHES	PAINTED METAL FINISHES	ALUMINUM FINISHES	STAINLESS STEEL FINISHES
METAL FINISH	<input type="checkbox"/> ABB: Antique Brass	<input type="checkbox"/> DGP: Dark Green	<input type="checkbox"/> SAA: Satin Aluminum	<input type="checkbox"/> SSS: Satin
	<input type="checkbox"/> SBB: Satin Brass	<input type="checkbox"/> VGP: Verde Green	<input type="checkbox"/> SNA: Satin Nickel	<input type="checkbox"/> DSS: Distressed
	<input type="checkbox"/> PBB: Polished Brass	<input type="checkbox"/> CGP: Charcoal Gray	<input type="checkbox"/> PAA: Polished Aluminum	<input type="checkbox"/> PSS: Polished
	<input type="checkbox"/> ANB: Antique Nickel	<input type="checkbox"/> MBP: Medium Bronze	<input type="checkbox"/> BBA: Burnished Bronze	<input type="checkbox"/> HSS: Hammered
	<input type="checkbox"/> SNB: Satin Nickel	<input type="checkbox"/> SBP: Satin Black	<input type="checkbox"/> RNA: Red Naval Bronze	<input type="checkbox"/>
	<input type="checkbox"/> PNB: Polished Nickel	<input type="checkbox"/> DBP: Dark Bronze	<input type="checkbox"/> SGA: Satin Gold	<input type="checkbox"/>
	<input type="checkbox"/> AZB: Antique Bronze	<input type="checkbox"/> LBP: Light Bronze	<input type="checkbox"/> SBA: Satin Bronze	<input type="checkbox"/>
	<input type="checkbox"/> SZB: Satin Bronze	<input type="checkbox"/> MGP: Medium Gold	<input type="checkbox"/> ORA: Oil Rubbed Bronze	<input type="checkbox"/>
	<input type="checkbox"/> PZB: Polished Bronze	<input type="checkbox"/> SCP: Sponged Copper	<input type="checkbox"/> SCA: Satin Copper	<input type="checkbox"/>
	<input type="checkbox"/> CSB: Custom Brass*	<input type="checkbox"/> CSP: Custom Paint*	<input type="checkbox"/> CSA: Custom Aluminum*	<input type="checkbox"/>
	<input type="checkbox"/>			<input type="checkbox"/>
	<input type="checkbox"/>			<input type="checkbox"/>
	<input type="checkbox"/>			<input type="checkbox"/>
	<input type="checkbox"/>			<input type="checkbox"/>

- | | | |
|--|--|---|
| <p style="text-align: center;">OPTIONS</p> <ul style="list-style-type: none"> <input type="checkbox"/> L211: 2-11wCLED Up/Dnlight <input type="checkbox"/> L213: 2-13wCLED Up/Dnlight <input type="checkbox"/> L223: 2-23wCLED Up/Dnlight <input type="checkbox"/> DIM: Dimming Ballast <input type="checkbox"/> REM: Remote Emer.Ballast | <p style="text-align: center;">OPTIONS</p> <ul style="list-style-type: none"> <input type="checkbox"/> WLM: Wet Location Mounting <input type="checkbox"/> TPL: Top Lens <input type="checkbox"/> <input type="checkbox"/> <input type="checkbox"/> | <p style="text-align: center;">OPTIONS</p> <ul style="list-style-type: none"> <input type="checkbox"/> FUS: Fusing <input type="checkbox"/> IEM: Integral Emer.Ballast <input type="checkbox"/> DALI: Dali dimming LED <input type="checkbox"/> <input type="checkbox"/> |
|--|--|---|