



# Phagen

## PD-3200~PD-3231

Our Phagen fixtures feature a spirited blend of geometric elements. Central square tube frames and corresponding half-cylinders create a unique look that carries through to many varied architectural elements within a given area. Phagen can provide sparkling ornamentation and a sensuous complexity to any place it inhabits. These lights are wonderful conversation pieces...and they are totally functional as well. We offer them in a wide array of sizes and with lamping options that are totally state of the art. Maintenance problems disappear with our CFL and LED options.

### ~Phagen Series~

Chandelier: CH-3200~CH-3211

Pendant: PD-3200~PD-3231

Ceiling Mount: CL-3200~CL-3208

Wall Mount: SC-3200~SC-3211

Bollard: BL-3200~BL-3211

**Mounting:** Lightsmith fixtures mount to standard 4" octagon electrical boxes unless otherwise specified. All hardware and canopies supplied.

**Listing and Warranty:** Lightsmith fixtures are Underwriters Laboratories listed and carry a standard three year warranty against defects in materials and labor beginning at date of shipment.



## Fixture Specifications

PD-32

FIXTURE NUMBER  
(Example: PD-3200)

~

DIFFUSER  
(Example: BGA-ECH)

~

METAL FINISH  
(Example: ABB)

~

VOLTAGE  
 (120V)  
 (277V)  
 (347V)

~

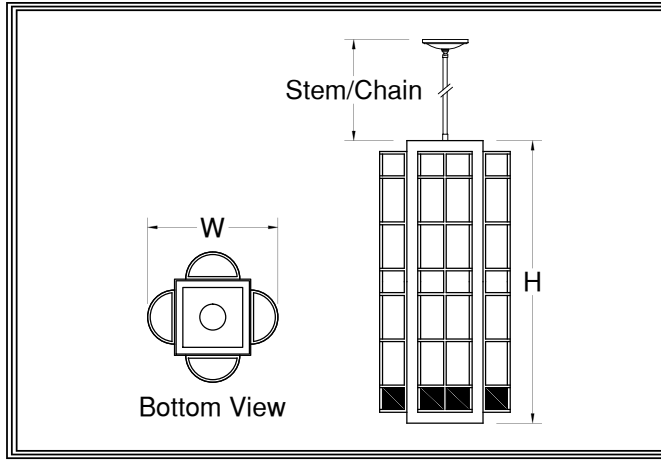
STEM=S+Lgth  
(Example: S-96")  
CHAIN=C+Lgth  
(Example: C-96")  
NR=Not required

~

OPTIONS  
(Example: DIM, REM)

~

MODIFICATIONS  
(Example: Custom Paint)  
Use "Notes" Box At Top To Explain Modifications



PD-32\_\_

Fixture Number      Job Type

Job Name

Notes~Modifications

	Fixture Number	Dimensions	Lamping	Weight	Stem/Chain	Options
LED	<input type="checkbox"/> PD-3209	14w x 30h	4-13wLLED	32 lbs	3' Std	DALI,IEM,REM,FUS**
	<input type="checkbox"/> PD-3210	18w x 38h	4-13wLLED/1-38wCLED	40 lbs	6' Std	L423,L623
	<input type="checkbox"/> PD-3211	21w x 45h	8-13wLLED/1-38wCLED	45 lbs	9' Std	L423,L623,L311
	<input type="checkbox"/> PD-3212	24w x 52h	12-13wLLED/1-52wCLED	50 lbs	9' Std	L623,L823,L611
	<input type="checkbox"/> PD-3213	36w x 78h	16-13wLLED/1-52wCLED	66 lbs	12' Std	L623,L823,L611
INCANDESCENT	<input type="checkbox"/> PD-3220	14w x 30h	1-150wA	28 lbs	3' Std	N250
	<input type="checkbox"/> PD-3200	18w x 38h	3-75wA/1-250wP38	36 lbs	6' Std	N300
	<input type="checkbox"/> PD-3221	21w x 45h	6-75wA/1-250wP38	41 lbs	9' Std	N300
	<input type="checkbox"/> PD-3201	24w x 52h	6-75wA/1-500wR40	46 lbs	9' Std	N500
	<input type="checkbox"/> PD-3202	36w x 78h	9-75wA/1-500wR40	62 lbs	12' Std	N500
FLUORESCENT	<input type="checkbox"/> PD-3230	14w x 30h	1-42wCFTdn	31 lbs	3' Std	DIM,IEM,REM,FUS*
	<input type="checkbox"/> PD-3203	18w x 38h	4-42wCFT/2-42wCFTdn	39 lbs	6' Std	F242
	<input type="checkbox"/> PD-3231	21w x 45h	8-42wCFT/2-42wCFTdn	44 lbs	9' Std	F242
	<input type="checkbox"/> PD-3204	24w x 52h	8-FT40w/4-42wCFTdn	49 lbs	9' Std	F442
	<input type="checkbox"/> PD-3205	36w x 78h	8-FT50w/4-42wCFTdn	65 lbs	12' Std	F442

~Two Circuits Standard Wiring~

\*All Fluorescent Fixtures  
\*\*All LED Fixtures

DIFFUSER	<input type="checkbox"/> BGA: Beige Alabaster Acrylic	<input type="checkbox"/> GRA: Green Edge Acrylic	<input type="checkbox"/> ECH: Etched*
	<input type="checkbox"/> NHA: Natural Horn Acrylic	<input type="checkbox"/> EGA: Earth Green Acrylic	*Etched option creates a matte, non-glossy finish on one side of the diffuser. (Example: WOA-ECH)
	<input type="checkbox"/> WHA: White Alabaster Acrylic	<input type="checkbox"/> DGA: Deep Gold Acrylic	
	<input type="checkbox"/> HNA: Honey Alabaster Acrylic	<input type="checkbox"/> SBA: Sea Blue Acrylic	
	<input type="checkbox"/> WOA: White Opal Acrylic	<input type="checkbox"/> PHA: Purple Haze Acrylic	

	SOLID BRASS FINISHES	PAINTED METAL FINISHES	ALUMINUM FINISHES	STAINLESS STEEL FINISHES
METAL FINISH	<input type="checkbox"/> ABB: Antique Brass	<input type="checkbox"/> DGP: Dark Green	<input type="checkbox"/> SAA: Satin Aluminum	<input type="checkbox"/> SSS: Satin
	<input type="checkbox"/> SBB: Satin Brass	<input type="checkbox"/> VGP: Verde Green	<input type="checkbox"/> SNA: Satin Nickel	<input type="checkbox"/> DSS: Distressed
	<input type="checkbox"/> PBB: Polished Brass	<input type="checkbox"/> CGP: Charcoal Gray	<input type="checkbox"/> PAA: Polished Aluminum	<input type="checkbox"/> PSS: Polished
	<input type="checkbox"/> ANB: Antique Nickel	<input type="checkbox"/> MBP: Medium Bronze	<input type="checkbox"/> BBA: Burnished Bronze	<input type="checkbox"/> HSS: Hammered
	<input type="checkbox"/> SNB: Satin Nickel	<input type="checkbox"/> SBP: Satin Black	<input type="checkbox"/> RNA: Red Naval Bronze	<input type="checkbox"/>
	<input type="checkbox"/> PNB: Polished Nickel	<input type="checkbox"/> DBP: Dark Bronze	<input type="checkbox"/> SGA: Satin Gold	<input type="checkbox"/>
	<input type="checkbox"/> AZB: Antique Bronze	<input type="checkbox"/> LBP: Light Bronze	<input type="checkbox"/> SBA: Satin Bronze	<input type="checkbox"/>
	<input type="checkbox"/> SZB: Satin Bronze	<input type="checkbox"/> MGP: Medium Gold	<input type="checkbox"/> ORA: Oil Rubbed Bronze	<input type="checkbox"/>
	<input type="checkbox"/> PZB: Polished Bronze	<input type="checkbox"/> SCP: Sponged Copper	<input type="checkbox"/> SCA: Satin Copper	<input type="checkbox"/>
	<input type="checkbox"/> CSB: Custom Brass*	<input type="checkbox"/> CSP: Custom Paint*	<input type="checkbox"/> CSA: Custom Aluminum*	<input type="checkbox"/>
	<input type="checkbox"/>			<input type="checkbox"/>
	<input type="checkbox"/>			<input type="checkbox"/>
	<input type="checkbox"/>			<input type="checkbox"/>
	<input type="checkbox"/>			<input type="checkbox"/>

OPTIONS	<input type="checkbox"/> N250: 250wPar38 Downlight	<input type="checkbox"/> L311: 3-11wCLED Uplight	<input type="checkbox"/> FUS: Fusing
	<input type="checkbox"/> N300: 300wPar56 Downlight	<input type="checkbox"/> L611: 6-11wCLED Uplight	<input type="checkbox"/> IEM: Integral Emer.Ballast
	<input type="checkbox"/> N500: 500wPar56 Downlight	<input type="checkbox"/> L423: 4-23wCLED Downlight	<input type="checkbox"/> DALI: Dali dimming LED
	<input type="checkbox"/> DIM: Dimming Ballast	<input type="checkbox"/> L623: 6-23wCLED Downlight	<input type="checkbox"/> F242: 2-42wCFT Uplight
	<input type="checkbox"/> REM: Remote Emer.Ballast	<input type="checkbox"/> L823: 8-23wCLED Downlight	<input type="checkbox"/> F442: 4-42wCFT Uplight
	<input type="checkbox"/>		
	<input type="checkbox"/>		
	<input type="checkbox"/>		
	<input type="checkbox"/>		
	<input type="checkbox"/>		