



Feldip

PD-3100~PD-3131

Our Feldip fixtures are about as straight forward a luminaire as we make here in the Lightsmith studios. They may look old on the outside, but they can be very new on the inside with our fluorescent and LED options. These pendants and sconces are available in solid brass or aluminum construction. Glass globe design is not limited to the schoolhouse shape we show. We offer a variety of shade options that are completely interchangeable within the fitter sizes of the fixture. Finish types can range from polished brass to satin black. Add a finial or tassel to the bottom for a period look.

~Feldip Series~

- Chandelier: CH-3100~CH-3111
- Pendant: PD-3100~PD-3131
- Ceiling Mount: CL-3100~CL-3108
- Wall Mount: SC-3100~SC-3111
- Bollard: BL-3100~BL-3111

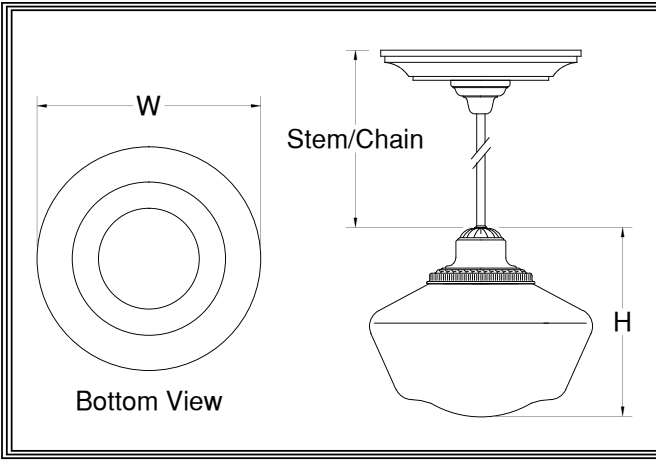
Mounting: Lightsmith fixtures mount to standard 4" octagon electrical boxes unless otherwise specified. All hardware and canopies supplied.

Listing and Warranty: Lightsmith fixtures are Underwriters Laboratories listed and carry a standard three year warranty against defects in materials and labor beginning at date of shipment.



Fixture Specifications

PD-31 <small>FIXTURE NUMBER (Example: PD-3100)</small>	~	<input type="checkbox"/> SHS-ECH <small>DIFFUSER (Example: SHS-ECH)</small>	~	<input type="checkbox"/> ABB <small>METAL FINISH (Example: ABB)</small>	~	<input type="checkbox"/> (120V) <input type="checkbox"/> (277V) <input type="checkbox"/> (347V) <small>VOLTAGE</small>	~	STEM=S+Lgth <small>(Example: S-96")</small> CHAIN=C+Lgth <small>(Example: C-96")</small> NR=Not required	~	<input type="checkbox"/> DIM,REM <small>OPTIONS (Example: DIM,REM)</small>	~	<input type="checkbox"/> Custom Paint <small>MODIFICATIONS (Example: Custom Paint) Use "Notes" Box At Top To Explain Modifications</small>
--	---	---	---	---	---	---	---	--	---	--	---	--



PD-31

Fixture Number Job Type

Job Name

Notes~Modifications

	Fixture Number	Dimensions	Lamping	Weight	Stem/Chain	Options
LED	<input type="checkbox"/> PD-3109	10w x 9h	1-11wCLED	9 lbs	3' Std	DALI,REM,FUS**
	<input type="checkbox"/> PD-3110	14w x 12h	1-23wCLED	11 lbs	6' Std	BFL,BTS,CEM,BLR
	<input type="checkbox"/> PD-3111	12w x 10h	1-13wCLED	10 lbs	9' Std	BFL,BTS,CEM,BLR
	<input type="checkbox"/> PD-3112	16w x 14h	1-38wCLED	14 lbs	9' Std	BFL,BTS,CEM,BLR
	<input type="checkbox"/> PD-3113	18w x 16h	1-52wCLED	18 lbs	12' Std	BFL,BTS,CEM,BLR
INCANDESCENT	<input type="checkbox"/> PD-3120	10w x 9h	1-60wA	6 lbs	3' Std	BFL,BTS
	<input type="checkbox"/> PD-3100	14w x 12h	1-150wA	8 lbs	6' Std	BFL,BTS
	<input type="checkbox"/> PD-3121	12w x 10h	1-100wA	7 lbs	9' Std	BFL,BTS
	<input type="checkbox"/> PD-3101	16w x 14h	1-200wA	11 lbs	9' Std	BFL,BTS
	<input type="checkbox"/> PD-3102	18w x 16h	1-300wA	15 lbs	12' Std	BFL,BTS
FLUORESCENT	<input type="checkbox"/> PD-3130	10w x 9h	1-18wCFT	8 lbs	3' Std	DIM,REM,FUS*
	<input type="checkbox"/> PD-3103	14w x 12h	1-42wCFT	10 lbs	6' Std	BFL,BTS,CEM,BLR
	<input type="checkbox"/> PD-3131	12w x 10h	1-26wCFT	9 lbs	9' Std	BFL,BTS,CEM,BLR
	<input type="checkbox"/> PD-3104	16w x 14h	2-42wCFT	13 lbs	9' Std	BFL,BTS,CEM,BLR
	<input type="checkbox"/> PD-3105	18w x 16h	3-42wCFT	17 lbs	12' Std	BFL,BTS,CEM,BLR

~Single Circuit Standard Wiring~

*All Fluorescent Fixtures
**All LED Fixtures

DIFFUSER	<input type="checkbox"/> SHS: School House Shade	<input type="checkbox"/> FLS: Flame Shade	<input type="checkbox"/> ECH: Etched*
	<input type="checkbox"/> OBS: Opal Ball Shade	<input type="checkbox"/> SUS: Smooth Urn Shade	*Etched option creates a matte, non-glossy finish on one side of the diffuser. (Example: SHS-ECH)
	<input type="checkbox"/> LDS: Long Deco Shade	<input type="checkbox"/> FDS: Fluted Deco Shade	
	<input type="checkbox"/> HMS: Half Moon Shade	<input type="checkbox"/> AGS: Art Glass Shade	
	<input type="checkbox"/> BRS: Buck Rogers Shade	<input type="checkbox"/> GKS: Greek Key Shade	

	SOLID BRASS FINISHES	PAINTED METAL FINISHES	ALUMINUM FINISHES	STAINLESS STEEL FINISHES
METAL FINISH	<input type="checkbox"/> ABB: Antique Brass	<input type="checkbox"/> DGP: Dark Green	<input type="checkbox"/> SAA: Satin Aluminum	<input type="checkbox"/> SSS: Satin
	<input type="checkbox"/> SBB: Satin Brass	<input type="checkbox"/> VGP: Verde Green	<input type="checkbox"/> SNA: Satin Nickel	<input type="checkbox"/> DSS: Distressed
	<input type="checkbox"/> PBB: Polished Brass	<input type="checkbox"/> CGP: Charcoal Gray	<input type="checkbox"/> PAA: Polished Aluminum	<input type="checkbox"/> PSS: Polished
	<input type="checkbox"/> ANB: Antique Nickel	<input type="checkbox"/> MBP: Medium Bronze	<input type="checkbox"/> BBA: Burnished Bronze	<input type="checkbox"/> HSS: Hammered
	<input type="checkbox"/> SNB: Satin Nickel	<input type="checkbox"/> SBP: Satin Black	<input type="checkbox"/> RNA: Red Naval Bronze	<input type="checkbox"/>
	<input type="checkbox"/> PNB: Polished Nickel	<input type="checkbox"/> DBP: Dark Bronze	<input type="checkbox"/> SGA: Satin Gold	<input type="checkbox"/>
	<input type="checkbox"/> AZB: Antique Bronze	<input type="checkbox"/> LBP: Light Bronze	<input type="checkbox"/> SBA: Satin Bronze	<input type="checkbox"/>
	<input type="checkbox"/> SZB: Satin Bronze	<input type="checkbox"/> MGP: Medium Gold	<input type="checkbox"/> ORA: Oil Rubbed Bronze	<input type="checkbox"/>
	<input type="checkbox"/> PZB: Polished Bronze	<input type="checkbox"/> SCP: Sponged Copper	<input type="checkbox"/> SCA: Satin Copper	<input type="checkbox"/>
	<input type="checkbox"/> CSB: Custom Brass*	<input type="checkbox"/> CSP: Custom Paint*	<input type="checkbox"/> CSA: Custom Aluminum*	<input type="checkbox"/>
	<input type="checkbox"/>			<input type="checkbox"/>
	<input type="checkbox"/>			<input type="checkbox"/>
	<input type="checkbox"/>			<input type="checkbox"/>
	<input type="checkbox"/>			<input type="checkbox"/>
	<input type="checkbox"/>			<input type="checkbox"/>

OPTIONS	<input type="checkbox"/> BFL: Bottom Finial	<input type="checkbox"/> FUS: Fusing	<input type="checkbox"/> <input type="checkbox"/> DALI: Dali dimming LED
	<input type="checkbox"/> BTS: Bottom Tassel	<input type="checkbox"/> BLR: Remote Ballast	
	<input type="checkbox"/> REM: Remote Emer. Ballast	<input type="checkbox"/> BLC: Canopy Ballast (Std)	
	<input type="checkbox"/> DIM: Dimming Ballast		
	<input type="checkbox"/> CEM: Canopy Emer. Ballast		