



**Katherby**

**PD-3000~PD-3031**

Our Katherby fixtures give the appearance of a free floating bowl supported by four sets of gigantic metal fingers. Their contemporary styling will set a crisp tone to a new room. LED, CFL, and incandescent options will produce enough light to satisfy even the most demanding engineer. We offer them in brass, aluminum, and stainless steel construction with ten different types of acrylic lenses. Twenty if you count the etched option. These are very solid pendants and sconces. Heavy gage rolled bar stock creates the "fingers"; and large diameter rod is the machined bottom cap.

**~Katherby Series~**

- Chandelier: CH-3000~CH-3011
- Pendant: PD-3000~PD-3031**
- Ceiling Mount: CL-3000~CL-3008
- Wall Mount: SC-3000~SC-3011
- Bollard: BL-3000~BL-3011

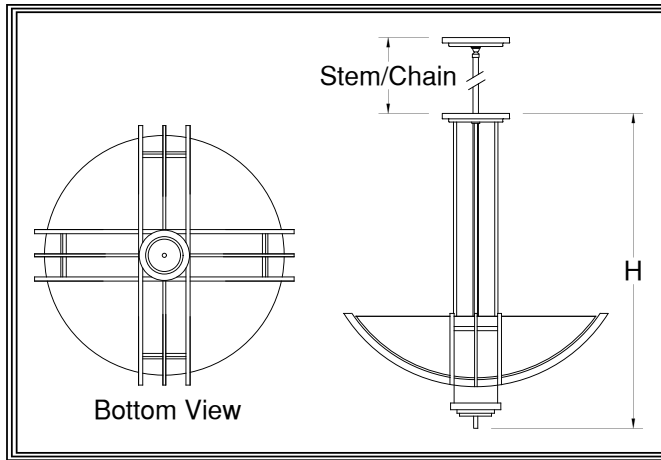
**Mounting:** Lightsmith fixtures mount to standard 4" octagon electrical boxes unless otherwise specified. All hardware and canopies supplied.

**Listing and Warranty:** Lightsmith fixtures are Underwriters Laboratories listed and carry a standard three year warranty against defects in materials and labor beginning at date of shipment.



**Fixture Specifications**

**PD-30** \_\_\_\_\_ ~ \_\_\_\_\_ ~ \_\_\_\_\_ ~ \_\_\_\_\_ ~ \_\_\_\_\_ ~ \_\_\_\_\_ ~ \_\_\_\_\_  
 FIXTURE NUMBER (Example: PD-3000)    DIFFUSER (Example: BGA-ECH)    METAL FINISH (Example: ABB)    VOLTAGE (120V, 277V, 347V)    STEM=S+Lgth (Example: S-96") CHAIN=C+Lgth (Example: C-96") NR=Not required    OPTIONS (Example: DIM, REM)    MODIFICATIONS (Example: Custom Paint\*) Use "Notes" Box At Top To Explain Modifications



**PD-30** \_\_\_\_\_    \_\_\_\_\_  
 Fixture Number    Job Type  
 \_\_\_\_\_  
 Job Name  
 \_\_\_\_\_  
 Notes~Modifications

	Fixture Number	Dimensions	Lamping	Weight	Stem/Chain	Options
LED	<input type="checkbox"/> PD-3009	22w x 26h	4-13wCLED	20 lbs	3' Std	DALI,IEM,TPL,FUS**
	<input type="checkbox"/> PD-3010	28w x 32h	6-13wCLED	23 lbs	6' Std	L423,L623
	<input type="checkbox"/> PD-3011	34w x 38h	4-23wCLED	25 lbs	9' Std	L423,L623,L311
	<input type="checkbox"/> PD-3012	40w x 44h	4-38wCLED	28 lbs	9' Std	L623,L823,L611
	<input type="checkbox"/> PD-3013	50w x 56h	6-52wCLED	31 lbs	12' Std	L623,L823,L611
INCANDESCENT	<input type="checkbox"/> PD-3020	22w x 26h	3-100wA	17 lbs	3' Std	N250
	<input type="checkbox"/> PD-3000	28w x 32h	3-150wA	19 lbs	6' Std	N300
	<input type="checkbox"/> PD-3021	34w x 38h	6-100wA	22 lbs	9' Std	N300
	<input type="checkbox"/> PD-3001	40w x 44h	6-150wA	25 lbs	9' Std	N500
	<input type="checkbox"/> PD-3002	50w x 56h	12-150wA	28 lbs	12' Std	N500
FLUORESCENT	<input type="checkbox"/> PD-3030	22w x 26h	2-42wCFT	19 lbs	3' Std	DIM,IEM,TPL,FUS*
	<input type="checkbox"/> PD-3003	28w x 32h	4-42wCFT	21 lbs	6' Std	F242
	<input type="checkbox"/> PD-3031	34w x 38h	6-42wCFT	24 lbs	9' Std	F242
	<input type="checkbox"/> PD-3004	40w x 44h	8-42wCFT	27 lbs	9' Std	F442
	<input type="checkbox"/> PD-3005	50w x 56h	10-42wCFT	30 lbs	12' Std	F442

~Two Circuits Standard Wiring~

\*All Fluorescent Fixtures  
\*\*All LED Fixtures

DIFFUSER	<input type="checkbox"/> <b>BGA:</b> Beige Alabaster Acrylic	<input type="checkbox"/> <b>GRA:</b> Green Edge Acrylic	<input type="checkbox"/> <b>ECH:</b> Etched*
	<input type="checkbox"/> <b>NHA:</b> Natural Horn Acrylic	<input type="checkbox"/> <b>EGA:</b> Earth Green Acrylic	*Etched option creates a matte, non-glossy finish on one side of the diffuser. (Example: WOA-ECH)
	<input type="checkbox"/> <b>WHA:</b> White Alabaster Acrylic	<input type="checkbox"/> <b>DGA:</b> Deep Gold Acrylic	
	<input type="checkbox"/> <b>HNA:</b> Honey Alabaster Acrylic	<input type="checkbox"/> <b>SBA:</b> Sea Blue Acrylic	
	<input type="checkbox"/> <b>WOA:</b> White Opal Acrylic	<input type="checkbox"/> <b>PHA:</b> Purple Haze Acrylic	

	SOLID BRASS FINISHES	PAINTED METAL FINISHES	ALUMINUM FINISHES	STAINLESS STEEL FINISHES
METAL FINISH	<input type="checkbox"/> <b>ABB:</b> Antique Brass	<input type="checkbox"/> <b>DGP:</b> Dark Green	<input type="checkbox"/> <b>SAA:</b> Satin Aluminum	<input type="checkbox"/> <b>SSS:</b> Satin
	<input type="checkbox"/> <b>SBB:</b> Satin Brass	<input type="checkbox"/> <b>VGP:</b> Verde Green	<input type="checkbox"/> <b>SNA:</b> Satin Nickel	<input type="checkbox"/> <b>DSS:</b> Distressed
	<input type="checkbox"/> <b>PBB:</b> Polished Brass	<input type="checkbox"/> <b>CGP:</b> Charcoal Gray	<input type="checkbox"/> <b>PAA:</b> Polished Aluminum	<input type="checkbox"/> <b>PSS:</b> Polished
	<input type="checkbox"/> <b>ANB:</b> Antique Nickel	<input type="checkbox"/> <b>MBP:</b> Medium Bronze	<input type="checkbox"/> <b>BBA:</b> Burnished Bronze	<input type="checkbox"/> <b>HSS:</b> Hammered
	<input type="checkbox"/> <b>SNB:</b> Satin Nickel	<input type="checkbox"/> <b>SBP:</b> Satin Black	<input type="checkbox"/> <b>RNA:</b> Red Naval Bronze	<input type="checkbox"/>
	<input type="checkbox"/> <b>PNB:</b> Polished Nickel	<input type="checkbox"/> <b>DBP:</b> Dark Bronze	<input type="checkbox"/> <b>SGA:</b> Satin Gold	<input type="checkbox"/>
	<input type="checkbox"/> <b>AZB:</b> Antique Bronze	<input type="checkbox"/> <b>LBP:</b> Light Bronze	<input type="checkbox"/> <b>SBA:</b> Satin Bronze	<input type="checkbox"/>
	<input type="checkbox"/> <b>SZB:</b> Satin Bronze	<input type="checkbox"/> <b>MGP:</b> Medium Gold	<input type="checkbox"/> <b>ORA:</b> Oil Rubbed Bronze	<input type="checkbox"/>
	<input type="checkbox"/> <b>PZB:</b> Polished Bronze	<input type="checkbox"/> <b>SCP:</b> Sponged Copper	<input type="checkbox"/> <b>SCA:</b> Satin Copper	<input type="checkbox"/>
	<input type="checkbox"/> <b>CSB:</b> Custom Brass*	<input type="checkbox"/> <b>CSP:</b> Custom Paint*	<input type="checkbox"/> <b>CSA:</b> Custom Aluminum*	<input type="checkbox"/> <b>CSS:</b> Custom SS*

OPTIONS	<input type="checkbox"/> <b>N250:</b> 250wPar38 Downlight	<input type="checkbox"/> <b>L311:</b> 3-11wCLED Uplight	<input type="checkbox"/> <b>FUS:</b> Fusing
	<input type="checkbox"/> <b>N300:</b> 300wPar56 Downlight	<input type="checkbox"/> <b>L611:</b> 6-11wCLED Uplight	<input type="checkbox"/> <b>IEM:</b> Integral Emer.Ballast
	<input type="checkbox"/> <b>N500:</b> 500wPar56 Downlight	<input type="checkbox"/> <b>L423:</b> 4-23wCLED Downlight	<input type="checkbox"/> <b>DALI:</b> Dali dimming LED
	<input type="checkbox"/> <b>DIM:</b> Dimming Ballast	<input type="checkbox"/> <b>L623:</b> 6-23wCLED Downlight	<input type="checkbox"/> <b>F242:</b> 2-42wCFT Downlight
	<input type="checkbox"/> <b>TPL:</b> Top Lens	<input type="checkbox"/> <b>L823:</b> 8-23wCLED Downlight	<input type="checkbox"/> <b>F442:</b> 4-42wCFT Downlight