



Bossajin

PD-2900~PD-2931

Our Bossajin fixtures are the "Plain Jane" bowls of all our Lightsmith creations. They are hard working and cheap to keep! Solid brass or aluminum trim ring spinnings hold a shallow acrylic bowl. A simple, straight-lined support stem handles the weight for the pendant and chandelier versions. No unnecessary ornamentation...just what it takes to make things work and nothing more. Bossajin lights come in amazing metal finishes with a variety of acrylic choices. Be daring and try our Purple Haze faux alabaster! Or be smart and try our LED options. Powerful and long lasting.

~Bossajin Series~

Chandelier: CH-2900~CH-2911

Pendant: PD-2900~PD-2931

Ceiling Mount: CL-2900~CL-2908

Wall Mount: SC-2900~SC-2911

Bollard: BL-2900~BL-2911

Mounting: Lightsmith fixtures mount to standard 4" octagon electrical boxes unless otherwise specified. All hardware and canopies supplied.

Listing and Warranty: Lightsmith fixtures are Underwriters Laboratories listed and carry a standard three year warranty against defects in materials and labor beginning at date of shipment.



Fixture Specifications

PD-29

FIXTURE NUMBER
(Example: PD-2900)

~

DIFFUSER
(Example: BGA-ECH)

~

METAL FINISH
(Example: ABB)

~

VOLTAGE
 (120V)
 (277V)
 (347V)

~

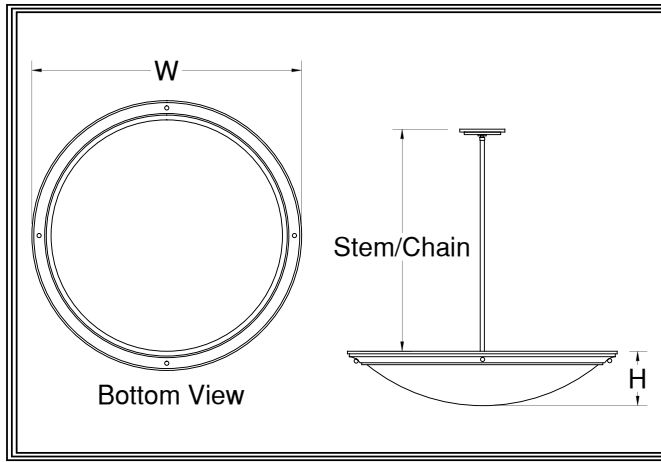
STEM=S+Lgth
(Example: S-96")
CHAIN=C+Lgth
(Example: C-96")
NR=Not required

~

OPTIONS
(Example: DIM,REM)

~

MODIFICATIONS
(Example: Custom Paint*)
Use "Notes" Box At Top To Explain Modifications



PD-29

Fixture Number

Job Type

Job Name

Notes~Modifications

	Fixture Number	Dimensions	Lamping	Weight	Stem/Chain	Options
LED	<input type="checkbox"/> PD-2909	18w x 6h	4-13wCLED	19 lbs	3' Std	DALI,IEM,TPL,FUS**
	<input type="checkbox"/> PD-2910	24w x 8h	6-13wCLED	24 lbs	6' Std	L423,L623
	<input type="checkbox"/> PD-2911	30w x 10h	6-23wCLED	31 lbs	9' Std	L423,L623,L311
	<input type="checkbox"/> PD-2912	36w x 12h	6-38wCLED	34 lbs	9' Std	L623,L823,L611
	<input type="checkbox"/> PD-2913	44w x 14h	6-52wCLED	47 lbs	12' Std	L623,L823,L611
INCANDESCENT	<input type="checkbox"/> PD-2920	18w x 6h	3-100wA	14 lbs	3' Std	N250
	<input type="checkbox"/> PD-2900	24w x 8h	3-150wA	20 lbs	6' Std	N300
	<input type="checkbox"/> PD-2921	30w x 10h	6-100wA	25 lbs	9' Std	N300
	<input type="checkbox"/> PD-2901	36w x 12h	6-150wA	30 lbs	9' Std	N500
	<input type="checkbox"/> PD-2902	44w x 14h	12-150wA	42 lbs	12' Std	N500
FLUORESCENT	<input type="checkbox"/> PD-2930	18w x 6h	2-42wCFT	18 lbs	3' Std	DIM,IEM,TPL,FUS*
	<input type="checkbox"/> PD-2903	24w x 8h	4-42wCFT	23 lbs	6' Std	F242
	<input type="checkbox"/> PD-2931	30w x 10h	6-42wCFT	30 lbs	9' Std	F242
	<input type="checkbox"/> PD-2904	36w x 12h	8-42wCFT	33 lbs	9' Std	F442
	<input type="checkbox"/> PD-2905	44w x 14h	10-42wCFT	46 lbs	12' Std	F442

~Two Circuits Standard Wiring~

*All Fluorescent Fixtures
**All LED Fixtures

DIFFUSER	<input type="checkbox"/> BGA: Beige Alabaster Acrylic	<input type="checkbox"/> GRA: Green Edge Acrylic	<input type="checkbox"/> ECH: Etched*
	<input type="checkbox"/> NHA: Natural Horn Acrylic	<input type="checkbox"/> EGA: Earth Green Acrylic	*Etched option creates a matte, non-glossy finish on one side of the diffuser. (Example: WOA-ECH)
	<input type="checkbox"/> WHA: White Alabaster Acrylic	<input type="checkbox"/> DGA: Deep Gold Acrylic	
	<input type="checkbox"/> HNA: Honey Alabaster Acrylic	<input type="checkbox"/> SBA: Sea Blue Acrylic	
	<input type="checkbox"/> WOA: White Opal Acrylic	<input type="checkbox"/> PHA: Purple Haze Acrylic	

	SOLID BRASS FINISHES	PAINTED METAL FINISHES	ALUMINUM FINISHES	STAINLESS STEEL FINISHES
METAL FINISH	<input type="checkbox"/> ABB: Antique Brass	<input type="checkbox"/> DGP: Dark Green	<input type="checkbox"/> SAA: Satin Aluminum	<input type="checkbox"/> SSS: Satin
	<input type="checkbox"/> SBB: Satin Brass	<input type="checkbox"/> VGP: Verde Green	<input type="checkbox"/> SNA: Satin Nickel	<input type="checkbox"/> DSS: Distressed
	<input type="checkbox"/> PBB: Polished Brass	<input type="checkbox"/> CGP: Charcoal Gray	<input type="checkbox"/> PAA: Polished Aluminum	<input type="checkbox"/> PSS: Polished
	<input type="checkbox"/> ANB: Antique Nickel	<input type="checkbox"/> MBP: Medium Bronze	<input type="checkbox"/> BBA: Burnished Bronze	<input type="checkbox"/> HSS: Hammered
	<input type="checkbox"/> SNB: Satin Nickel	<input type="checkbox"/> SBP: Satin Black	<input type="checkbox"/> RNA: Red Naval Bronze	<input type="checkbox"/>
	<input type="checkbox"/> PNB: Polished Nickel	<input type="checkbox"/> DBP: Dark Bronze	<input type="checkbox"/> SGA: Satin Gold	<input type="checkbox"/>
	<input type="checkbox"/> AZB: Antique Bronze	<input type="checkbox"/> LBP: Light Bronze	<input type="checkbox"/> SBA: Satin Bronze	<input type="checkbox"/>
	<input type="checkbox"/> SZB: Satin Bronze	<input type="checkbox"/> MGP: Medium Gold	<input type="checkbox"/> ORA: Oil Rubbed Bronze	<input type="checkbox"/>
	<input type="checkbox"/> PZB: Polished Bronze	<input type="checkbox"/> SCP: Sponged Copper	<input type="checkbox"/> SCA: Satin Copper	<input type="checkbox"/>
	<input type="checkbox"/> CSB: Custom Brass*	<input type="checkbox"/> CSP: Custom Paint*	<input type="checkbox"/> CSA: Custom Aluminum*	<input type="checkbox"/>
				<input type="checkbox"/> CSS: Custom SS*

OPTIONS	<input type="checkbox"/> N250: 250wPar38 Downlight	<input type="checkbox"/> L311: 3-11wCLED Uplight	<input type="checkbox"/> FUS: Fusing
	<input type="checkbox"/> N300: 300wPar56 Downlight	<input type="checkbox"/> L611: 6-11wCLED Uplight	<input type="checkbox"/> IEM: Integral Emer.Ballast
	<input type="checkbox"/> N500: 500wPar56 Downlight	<input type="checkbox"/> L423: 4-23wCLED Downlight	<input type="checkbox"/> DALI: Dali dimming LED
	<input type="checkbox"/> DIM: Dimming Ballast	<input type="checkbox"/> L623: 6-23wCLED Downlight	<input type="checkbox"/> F242: 2-42wCFT Downlight
	<input type="checkbox"/> TPL: Top Lens	<input type="checkbox"/> L823: 8-23wCLED Downlight	<input type="checkbox"/> F442: 4-42wCFT Downlight