



# Julesta

## CH-2800~CH-2814

Our Julesta fixtures are clean edged pendants, chandeliers, and sconces. The chandelier version may be suspended by chains, rods, or aircraft cables. Chain suspension systems give Julesta a medieval feel. Straight rod suspensions give Julesta a very contemporary appeal. We show straight etched white glass lenses, but swap them out for some of the many versions of alabaster and green-edged acrylics and the feel of the fixture totally changes. Notice that we offer the fixture in incandescent, fluorescent, and LED configurations. Larger size chandeliers available in two massive tiers.

### ~Julesta Series~

- Chandelier: CH-2800~CH-2831
- Pendant: PD-2800~PD-2831
- Ceiling Mount: CL-2800~CL-2808
- Wall Mount: SC-2800~SC-2811
- Bollard: BL-2800~BL-2811

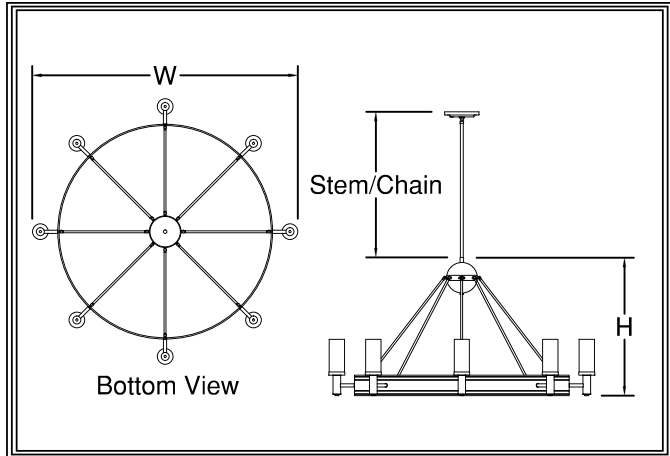
**Mounting:** Lightsmith fixtures mount to standard 4" octagon electrical boxes unless otherwise specified. All hardware and canopies supplied.

**Listing and Warranty:** Lightsmith fixtures are Underwriters Laboratories listed and carry a standard three year warranty against defects in materials and labor beginning at date of shipment.



## Fixture Specifications

<b>CH-28</b> <small>FIXTURE NUMBER (Example: CH-2800)</small>	~	<small>DIFFUSER (Example: BGA-ECH)</small>	~	<small>METAL FINISH (Example: ABB)</small>	~	<small>VOLTAGE  <input type="checkbox"/> (120V)  <input type="checkbox"/> (277V)  <input type="checkbox"/> (347V)         </small>	~	<small>STEM=S+Lgth (Example: S-96")          CHAIN=C+Lgth (Example: C-96")          NR=Not required       </small>	~	<small>OPTIONS (Example: DIM, REM)</small>	~	<small>MODIFICATIONS (Example: Custom Paint)          Use "Notes" Box At Top To Explain Modifications       </small>
--	---	--	---	--	---	--	---	--	---	--	---	--



**CH-28** Job Type

Fixture Number Job Name

Notes~Modifications

	Fixture Number	Dimensions	Lamping	Tiers/Arms	Weight	Stem/Chain	Options
LED	<input type="checkbox"/> CH-2810	30w x 18h	4-20wCLED	1T/4A	28 lbs	3' Std	DALI, REM, FUS**
	<input type="checkbox"/> CH-2811	40w x 20h	6-20wCLED	1T/6A	37 lbs	6' Std	L423, L623
	<input type="checkbox"/> CH-2812	52w x 26h	8-20wCLED	1T/8A	67 lbs	9' Std	L423, L623, L311
	<input type="checkbox"/> CH-2813	64w x 54h	18-20wCLED	2T/18A	96 lbs	9' Std	L623, L823, L611
	<input type="checkbox"/> CH-2814	84w x 74h	24-20wCLED	2T/24A	135 lbs	12' Std	L623, L823, L611
INCANDESCENT	<input type="checkbox"/> CH-2800	30w x 18h	4-60wA	1T/4A	22 lbs	3' Std	N250
	<input type="checkbox"/> CH-2801	40w x 20h	6-60wA	1T/6A	35 lbs	6' Std	N300
	<input type="checkbox"/> CH-2802	52w x 26h	8-60wA	1T/8A	57 lbs	9' Std	N300
	<input type="checkbox"/> CH-2803	64w x 54h	18-60wA	2T/18A	76 lbs	9' Std	N500
	<input type="checkbox"/> CH-2804	84w x 74h	24-60wA	2T/24A	109 lbs	12' Std	N500
FLUORESCENT	<input type="checkbox"/> CH-2805	30w x 18h	4-26wGU24	1T/4A	26 lbs	3' Std	F242
	<input type="checkbox"/> CH-2806	40w x 20h	6-26wGU24	1T/6A	41 lbs	6' Std	F242
	<input type="checkbox"/> CH-2807	52w x 26h	8-26wGU24	1T/8A	65 lbs	9' Std	F242
	<input type="checkbox"/> CH-2808	64w x 54h	18-26wGU24	2T/18A	94 lbs	9' Std	F442
	<input type="checkbox"/> CH-2809	84w x 74h	24-26wGU24	2T/24A	133 lbs	12' Std	F442

~One Circuit Per Tier Standard Wiring~

\*All Fluorescent Fixtures  
\*\*All LED Fixtures

DIFFUSER	<input type="checkbox"/> <b>BGA:</b> Beige Alabaster Acrylic	<input type="checkbox"/> <b>GRA:</b> Green Edge Acrylic	<input type="checkbox"/> <b>ECH:</b> Etched*
	<input type="checkbox"/> <b>NHA:</b> Natural Horn Acrylic	<input type="checkbox"/> <b>EGA:</b> Earth Green Acrylic	*Etched option creates a matte, non-glossy finish on one side of the diffuser. (Example: WOA-ECH)
	<input type="checkbox"/> <b>WHA:</b> White Alabaster Acrylic	<input type="checkbox"/> <b>DGA:</b> Deep Gold Acrylic	
	<input type="checkbox"/> <b>HNA:</b> Honey Alabaster Acrylic	<input type="checkbox"/> <b>CLG:</b> Clear Glass	
	<input type="checkbox"/> <b>WOA:</b> White Opal Acrylic	<input type="checkbox"/> <b>WOG:</b> White Opal Glass	

	SOLID BRASS FINISHES	PAINTED METAL FINISHES	ALUMINUM FINISHES	STAINLESS STEEL FINISHES
METAL FINISH	<input type="checkbox"/> <b>ABB:</b> Antique Brass	<input type="checkbox"/> <b>DGP:</b> Dark Green	<input type="checkbox"/> <b>SAA:</b> Satin Aluminum	<input type="checkbox"/> <b>SSS:</b> Satin
	<input type="checkbox"/> <b>SBB:</b> Satin Brass	<input type="checkbox"/> <b>VGP:</b> Verde Green	<input type="checkbox"/> <b>SNA:</b> Satin Nickel	<input type="checkbox"/> <b>DSS:</b> Distressed
	<input type="checkbox"/> <b>PBB:</b> Polished Brass	<input type="checkbox"/> <b>CGP:</b> Charcoal Gray	<input type="checkbox"/> <b>PAA:</b> Polished Aluminum	<input type="checkbox"/> <b>PSS:</b> Polished
	<input type="checkbox"/> <b>ANB:</b> Antique Nickel	<input type="checkbox"/> <b>MBP:</b> Medium Bronze	<input type="checkbox"/> <b>BBA:</b> Burnished Bronze	<input type="checkbox"/> <b>HSS:</b> Hammered
	<input type="checkbox"/> <b>SNB:</b> Satin Nickel	<input type="checkbox"/> <b>SBP:</b> Satin Black	<input type="checkbox"/> <b>RNA:</b> Red Naval Bronze	<input type="checkbox"/>
	<input type="checkbox"/> <b>PNB:</b> Polished Nickel	<input type="checkbox"/> <b>DBP:</b> Dark Bronze	<input type="checkbox"/> <b>SGA:</b> Satin Gold	<input type="checkbox"/>
	<input type="checkbox"/> <b>AZB:</b> Antique Bronze	<input type="checkbox"/> <b>LBP:</b> Light Bronze	<input type="checkbox"/> <b>SBA:</b> Satin Bronze	<input type="checkbox"/>
	<input type="checkbox"/> <b>SZB:</b> Satin Bronze	<input type="checkbox"/> <b>MGP:</b> Medium Gold	<input type="checkbox"/> <b>ORA:</b> Oil Rubbed Bronze	<input type="checkbox"/>
	<input type="checkbox"/> <b>PZB:</b> Polished Bronze	<input type="checkbox"/> <b>SCP:</b> Sponged Copper	<input type="checkbox"/> <b>SCA:</b> Satin Copper	<input type="checkbox"/>
	<input type="checkbox"/> <b>CSB:</b> Custom Brass*	<input type="checkbox"/> <b>CSP:</b> Custom Paint*	<input type="checkbox"/> <b>CSA:</b> Custom Aluminum*	<input type="checkbox"/>
	<input type="checkbox"/>			<input type="checkbox"/>
	<input type="checkbox"/>			<input type="checkbox"/>
	<input type="checkbox"/>			<input type="checkbox"/>
	<input type="checkbox"/>			<input type="checkbox"/>
	<input type="checkbox"/>			<input type="checkbox"/>

OPTIONS	<input type="checkbox"/> <b>N250:</b> 250wPar38 Downlight	<input type="checkbox"/> <b>L311:</b> 3-11wCLED Uplight	<input type="checkbox"/> <b>FUS:</b> Fusing
	<input type="checkbox"/> <b>N300:</b> 300wPar56 Downlight	<input type="checkbox"/> <b>L611:</b> 6-11wCLED Uplight	<input type="checkbox"/> <b>REM:</b> Remote Emer. Ballast
	<input type="checkbox"/> <b>N500:</b> 500wPar56 Downlight	<input type="checkbox"/> <b>L423:</b> 4-23wCLED Downlight	<input type="checkbox"/> <b>DALI:</b> Dali dimming LED
	<input type="checkbox"/>	<input type="checkbox"/> <b>L623:</b> 6-23wCLED Downlight	<input type="checkbox"/> <b>F242:</b> 2-42wCFT Downlight
	<input type="checkbox"/>	<input type="checkbox"/> <b>L823:</b> 8-23wCLED Downlight	<input type="checkbox"/> <b>F442:</b> 4-42wCFT Downlight