



# Odessa

## PD-2500~PD-2531

Our Odessa pendants and sconces are nice, classically-lined bowl fixtures with wonderful lamping and size options. The pendants feature reeded support rods with symmetrical colonial breaks leading to hook and loop hangers with a deeply embossed cast canopy at top. The large trim ring and bottom cap are metal spinnings we do here in the Lightsmith shop. Smooth, wrought-iron style straps complete the overall look by cradling the acrylic bowl. We show a painted finish, but our satin brass and nickel finishes are amazing in this style with white and honey alabasters.

### ~Odessa Series~

- Chandelier: CH-2500~CH-2511
- Pendant: PD-2500~PD-2531
- Ceiling Mount: CL-2500~CL-2508
- Wall Mount: SC-2500~SC-2511
- Bollard: BL-2500~BL-2511

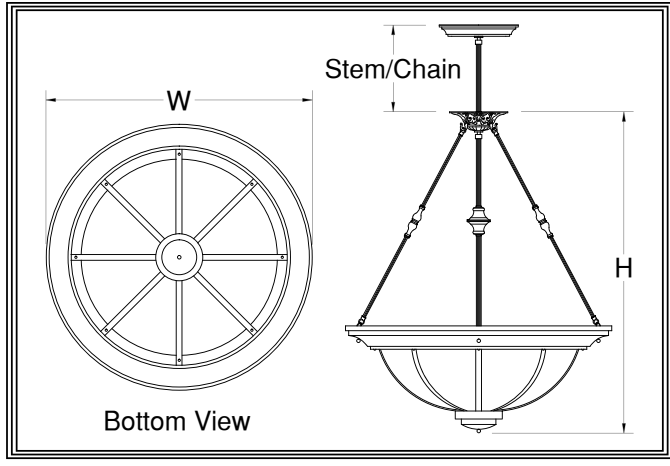
**Mounting:** Lightsmith fixtures mount to standard 4" octagon electrical boxes unless otherwise specified. All hardware and canopies supplied.

**Listing and Warranty:** Lightsmith fixtures are Underwriters Laboratories listed and carry a standard three year warranty against defects in materials and labor beginning at date of shipment.



## Fixture Specifications

<b>PD-25</b> <small>FIXTURE NUMBER (Example: PD-2500)</small>	~	<small>DIFFUSER (Example: BGA-ECH)</small>	~	<small>METAL FINISH (Example: ABB)</small>	~	<small>VOLTAGE  <input type="checkbox"/> (120V)  <input type="checkbox"/> (277V)  <input type="checkbox"/> (347V)         </small>	~	<small>STEM=S+Lgth (Example: S-96")          CHAIN=C+Lgth (Example: C-96")          NR=Not required         </small>	~	<small>OPTIONS (Example: DIM, REM)</small>	~	<small>MODIFICATIONS (Example: Custom Paint)          Use "Notes" Box At Top To Explain Modifications         </small>
--	---	--	---	--	---	--	---	--	---	--	---	--



PD-25

Fixture Number      Job Type

---

Job Name

Notes~Modifications

	Fixture Number	Dimensions	Lamping	Weight	Stem/Chain	Options
LED	<input type="checkbox"/> PD-2509	20w x 25h	4-13wCLED	22 lbs	3' Std	DALI,IEM,TPL,FUS**
	<input type="checkbox"/> PD-2510	24w x 30h	6-13wCLED	27 lbs	6' Std	L423,L623
	<input type="checkbox"/> PD-2511	32w x 37h	4-23wCLED	34 lbs	9' Std	L423,L623,L311
	<input type="checkbox"/> PD-2512	36w x 44h	4-38wCLED	39 lbs	9' Std	L623,L823,L611
	<input type="checkbox"/> PD-2513	44w x 53h	6-52wCLED	49 lbs	12' Std	L623,L823,L611
INCANDESCENT	<input type="checkbox"/> PD-2520	20w x 25h	3-100wA	19 lbs	3' Std	N250
	<input type="checkbox"/> PD-2500	24w x 30h	3-150wA	24 lbs	6' Std	N300
	<input type="checkbox"/> PD-2521	32w x 37h	6-100wA	31 lbs	9' Std	N300
	<input type="checkbox"/> PD-2501	36w x 44h	6-150wA	36 lbs	9' Std	N500
	<input type="checkbox"/> PD-2502	44w x 53h	12-150wA	46 lbs	12' Std	N500
FLUORESCENT	<input type="checkbox"/> PD-2530	20w x 25h	2-42wCFT	21 lbs	3' Std	DIM,IEM,TPL,FUS*
	<input type="checkbox"/> PD-2503	24w x 30h	4-42wCFT	26 lbs	6' Std	F242
	<input type="checkbox"/> PD-2531	32w x 37h	6-42wCFT	33 lbs	9' Std	F242
	<input type="checkbox"/> PD-2504	36w x 44h	6-FT40w	38 lbs	9' Std	F442
	<input type="checkbox"/> PD-2505	44w x 53h	8-FT50w	48 lbs	12' Std	F442

~Single Circuit Standard Wiring~

\*All Fluorescent Fixtures  
\*\*All LED Fixtures

DIFFUSER	<input type="checkbox"/> <b>BGA:</b> Beige Alabaster Acrylic	<input type="checkbox"/> <b>GRA:</b> Green Edge Acrylic	<input type="checkbox"/> <b>ECH:</b> Etched*
	<input type="checkbox"/> <b>NHA:</b> Natural Horn Acrylic	<input type="checkbox"/> <b>EGA:</b> Earth Green Acrylic	<i>*Etched option creates a matte, non-glossy finish on one side of the diffuser. (Example: WOA-ECH)</i>
	<input type="checkbox"/> <b>WHA:</b> White Alabaster Acrylic	<input type="checkbox"/> <b>DGA:</b> Deep Gold Acrylic	
	<input type="checkbox"/> <b>HNA:</b> Honey Alabaster Acrylic	<input type="checkbox"/> <b>SBA:</b> Sea Blue Acrylic	
	<input type="checkbox"/> <b>WOA:</b> White Opal Acrylic	<input type="checkbox"/> <b>PHA:</b> Purple Haze Acrylic	

	SOLID BRASS FINISHES	PAINTED METAL FINISHES	ALUMINUM FINISHES	STAINLESS STEEL FINISHES
METAL FINISH	<input type="checkbox"/> <b>ABB:</b> Antique Brass	<input type="checkbox"/> <b>DGP:</b> Dark Green	<input type="checkbox"/> <b>SAA:</b> Satin Aluminum	<input type="checkbox"/> <b>SSS:</b> Satin
	<input type="checkbox"/> <b>SBB:</b> Satin Brass	<input type="checkbox"/> <b>VGP:</b> Verde Green	<input type="checkbox"/> <b>SNA:</b> Satin Nickel	<input type="checkbox"/> <b>DSS:</b> Distressed
	<input type="checkbox"/> <b>PBB:</b> Polished Brass	<input type="checkbox"/> <b>CGP:</b> Charcoal Gray	<input type="checkbox"/> <b>PAA:</b> Polished Aluminum	<input type="checkbox"/> <b>PSS:</b> Polished
	<input type="checkbox"/> <b>ANB:</b> Antique Nickel	<input type="checkbox"/> <b>MBP:</b> Medium Bronze	<input type="checkbox"/> <b>BBA:</b> Burnished Bronze	<input type="checkbox"/> <b>HSS:</b> Hammered
	<input type="checkbox"/> <b>SNB:</b> Satin Nickel	<input type="checkbox"/> <b>SBP:</b> Satin Black	<input type="checkbox"/> <b>RNA:</b> Red Naval Bronze	<input type="checkbox"/>
	<input type="checkbox"/> <b>PNB:</b> Polished Nickel	<input type="checkbox"/> <b>DBP:</b> Dark Bronze	<input type="checkbox"/> <b>SGA:</b> Satin Gold	<input type="checkbox"/>
	<input type="checkbox"/> <b>AZB:</b> Antique Bronze	<input type="checkbox"/> <b>LBP:</b> Light Bronze	<input type="checkbox"/> <b>SBA:</b> Satin Bronze	<input type="checkbox"/>
	<input type="checkbox"/> <b>SZB:</b> Satin Bronze	<input type="checkbox"/> <b>MGP:</b> Medium Gold	<input type="checkbox"/> <b>ORA:</b> Oil Rubbed Bronze	<input type="checkbox"/>
	<input type="checkbox"/> <b>PZB:</b> Polished Bronze	<input type="checkbox"/> <b>SCP:</b> Sponged Copper	<input type="checkbox"/> <b>SCA:</b> Satin Copper	<input type="checkbox"/>
	<input type="checkbox"/> <b>CSB:</b> Custom Brass*	<input type="checkbox"/> <b>CSP:</b> Custom Paint*	<input type="checkbox"/> <b>CSA:</b> Custom Aluminum*	<input type="checkbox"/>
	<input type="checkbox"/>			<input type="checkbox"/> <b>CSS:</b> Custom SS*
	<input type="checkbox"/>			<input type="checkbox"/>
	<input type="checkbox"/>			<input type="checkbox"/>
	<input type="checkbox"/>			<input type="checkbox"/>

OPTIONS	<input type="checkbox"/> <b>N250:</b> 250wPar38 Downlight	<input type="checkbox"/> <b>L311:</b> 3-11wCLED Uplight	<input type="checkbox"/> <b>FUS:</b> Fusing
	<input type="checkbox"/> <b>N300:</b> 300wPar56 Downlight	<input type="checkbox"/> <b>L611:</b> 6-11wCLED Uplight	<input type="checkbox"/> <b>IEM:</b> Integral Emer.Ballast
	<input type="checkbox"/> <b>N500:</b> 500wPar56 Downlight	<input type="checkbox"/> <b>L423:</b> 4-23wCLED Downlight	<input type="checkbox"/> <b>DALI:</b> Dali dimming LED
	<input type="checkbox"/> <b>DIM:</b> Dimming Ballast	<input type="checkbox"/> <b>L623:</b> 6-23wCLED Downlight	<input type="checkbox"/> <b>F242:</b> 2-42wCFT Downlight
	<input type="checkbox"/> <b>TPL:</b> Top Lens	<input type="checkbox"/> <b>L823:</b> 8-23wCLED Downlight	<input type="checkbox"/> <b>F442:</b> 4-42wCFT Downlight
	<input type="checkbox"/>		