



Kobe II

PD-2100~PD-2131

Our Kobe fixtures are extremely thick metal rings joined into a concentric donut shape by an elaborate interior superstructure that both binds and centers their ultimate positioning. The effect is a simplistic...almost exotic... fixture with a contemporary edge that moves it into the realm of classic modernism. The harsh tone of the metal ring is offset by the soft glow of the acrylic lens. The Kobe frame allows for some wonderful lamping options. Plenty of room for CFL and LED lamps and chips. Acrylic lenses can be multiple colors as can the metal finishes. Be aware these are heavy lights...prepare!

~Kobe II Series~

- Chandelier: CH-2100~CH-2111
- Pendant: PD-2100~PD-2131
- Ceiling Mount: CL-2100~CL-2108
- Wall Mount: SC-2100~SC-2111
- Bollard: BL-2100~BL-2111

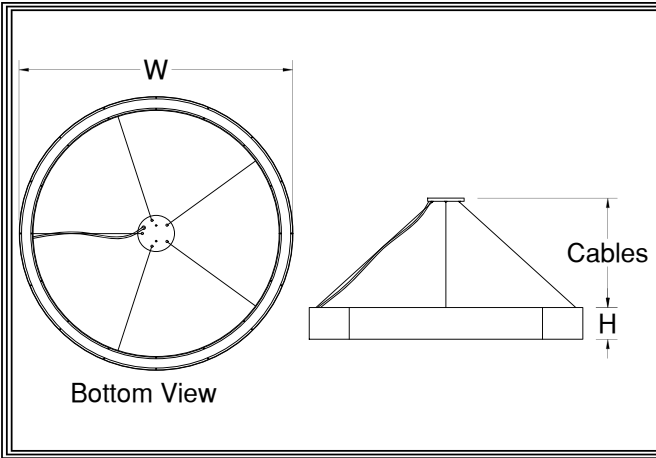
Mounting: Lightsmith fixtures mount to standard 4" octagon electrical boxes unless otherwise specified. All hardware and canopies supplied.

Listing and Warranty: Lightsmith fixtures are Underwriters Laboratories listed and carry a standard three year warranty against defects in materials and labor beginning at date of shipment.



Fixture Specifications

PD-21 FIXTURE NUMBER (Example: PD-2100)	~	DIFFUSER (Example: BGA-ECH)	~	METAL FINISH (Example: ABB)	~	VOLTAGE <input type="checkbox"/> (120V) <input type="checkbox"/> (277V) <input type="checkbox"/> (347V)	~	STEM=S+Lgth (Example: S-96") CHAIN=C+Lgth (Example: C-96") NR=Not required	~	OPTIONS (Example: DIM,REM)	~	MODIFICATIONS (Example: Custom Paint*) Use "Notes" Box At Top To Explain Modifications
--	---	--------------------------------	---	--------------------------------	---	--	---	--	---	-------------------------------	---	--



PD-21 _____

Fixture Number Job Type

Job Name

Notes~Modifications

	Fixture Number	Dimensions	Lamping	Weight	Cables	Options
LED	<input type="checkbox"/> PD-2109	24w x 7h	4-13wLLED	39 lbs	3' Std	DALI,IEM,TPL,FUS**
	<input type="checkbox"/> PD-2110	36w x 9h	6-13wLLED	52 lbs	6' Std	L423,L623
	<input type="checkbox"/> PD-2111	48w x 11h	12-13wLLED	65 lbs	9' Std	L423,L623,L311
	<input type="checkbox"/> PD-2112	72w x 14h	18-13wLLED	78 lbs	9' Std	L623,L823,L611
	<input type="checkbox"/> PD-2113	96w x 18h	24-13wLLED	95 lbs	12' Std	L623,L823,L611
INCANDESCENT	<input type="checkbox"/> PD-2120	24w x 7h	4-60wA	34 lbs	3' Std	N250
	<input type="checkbox"/> PD-2100	36w x 9h	6-60wA	46 lbs	6' Std	N300
	<input type="checkbox"/> PD-2121	48w x 11h	12-60wA	60 lbs	9' Std	N300
	<input type="checkbox"/> PD-2101	72w x 14h	18-60wA	74 lbs	9' Std	N500
	<input type="checkbox"/> PD-2102	96w x 18h	24-60wA	90 lbs	12' Std	N500
FLUORESCENT	<input type="checkbox"/> PD-2130	24w x 7h	4-26wCFQ	37 lbs	3' Std	DIM,IEM,TPL,FUS*
	<input type="checkbox"/> PD-2103	36w x 9h	6-26wCFQ	51 lbs	6' Std	F242
	<input type="checkbox"/> PD-2131	48w x 11h	12-26wCFQ	63 lbs	9' Std	F242
	<input type="checkbox"/> PD-2104	72w x 14h	18-26wCFQ	76 lbs	9' Std	F442
	<input type="checkbox"/> PD-2105	96w x 18h	24-26wCFQ	93 lbs	12' Std	F442

~Two Circuits Standard Wiring~

*All Fluorescent Fixtures
**All LED Fixtures

DIFFUSER	<input type="checkbox"/> BGA: Beige Alabaster Acrylic	<input type="checkbox"/> GRA: Green Edge Acrylic	<input type="checkbox"/> ECH: Etched*
	<input type="checkbox"/> NHA: Natural Horn Acrylic	<input type="checkbox"/> EGA: Earth Green Acrylic	*Etched option creates a matte, non-glossy finish on one side of the diffuser. (Example: WOA-ECH)
	<input type="checkbox"/> WHA: White Alabaster Acrylic	<input type="checkbox"/> DGA: Deep Gold Acrylic	
	<input type="checkbox"/> HNA: Honey Alabaster Acrylic	<input type="checkbox"/> SBA: Sea Blue Acrylic	
	<input type="checkbox"/> WOA: White Opal Acrylic	<input type="checkbox"/> PHA: Purple Haze Acrylic	

	SOLID BRASS FINISHES	PAINTED METAL FINISHES	ALUMINUM FINISHES	STAINLESS STEEL FINISHES
METAL FINISH	<input type="checkbox"/> ABB: Antique Brass	<input type="checkbox"/> DGP: Dark Green	<input type="checkbox"/> SAA: Satin Aluminum	<input type="checkbox"/> SSS: Satin
	<input type="checkbox"/> SBB: Satin Brass	<input type="checkbox"/> VGP: Verde Green	<input type="checkbox"/> SNA: Satin Nickel	<input type="checkbox"/> DSS: Distressed
	<input type="checkbox"/> PBB: Polished Brass	<input type="checkbox"/> CGP: Charcoal Gray	<input type="checkbox"/> PAA: Polished Aluminum	<input type="checkbox"/> PSS: Polished
	<input type="checkbox"/> ANB: Antique Nickel	<input type="checkbox"/> MBP: Medium Bronze	<input type="checkbox"/> BBA: Burnished Bronze	<input type="checkbox"/> HSS: Hammered
	<input type="checkbox"/> SNB: Satin Nickel	<input type="checkbox"/> SBP: Satin Black	<input type="checkbox"/> RNA: Red Naval Bronze	<input type="checkbox"/>
	<input type="checkbox"/> PNB: Polished Nickel	<input type="checkbox"/> DBP: Dark Bronze	<input type="checkbox"/> SGA: Satin Gold	<input type="checkbox"/>
	<input type="checkbox"/> AZB: Antique Bronze	<input type="checkbox"/> LBP: Light Bronze	<input type="checkbox"/> SBA: Satin Bronze	<input type="checkbox"/>
	<input type="checkbox"/> SZB: Satin Bronze	<input type="checkbox"/> MGP: Medium Gold	<input type="checkbox"/> ORA: Oil Rubbed Bronze	<input type="checkbox"/>
	<input type="checkbox"/> PZB: Polished Bronze	<input type="checkbox"/> SCP: Sponged Copper	<input type="checkbox"/> SCA: Satin Copper	<input type="checkbox"/>
	<input type="checkbox"/> CSB: Custom Brass*	<input type="checkbox"/> CSP: Custom Paint*	<input type="checkbox"/> CSA: Custom Aluminum*	<input type="checkbox"/> CSS: Custom SS*

OPTIONS	<input type="checkbox"/> N250: 250wPar38 Downlight	<input type="checkbox"/> L311: 3-11wCLED Uplight	<input type="checkbox"/> FUS: Fusing
	<input type="checkbox"/> N300: 300wPar56 Downlight	<input type="checkbox"/> L611: 6-11wCLED Uplight	<input type="checkbox"/> IEM: Integral Emer.Ballast
	<input type="checkbox"/> N500: 500wPar56 Downlight	<input type="checkbox"/> L423: 4-23wCLED Downlight	<input type="checkbox"/> DALI: Dali dimming LED
	<input type="checkbox"/> DIM: Dimming Ballast	<input type="checkbox"/> L623: 6-23wCLED Downlight	<input type="checkbox"/> F242: 2-42wCFT Downlight
	<input type="checkbox"/> TPL: Top Lens	<input type="checkbox"/> L823: 8-23wCLED Downlight	<input type="checkbox"/> F442: 4-42wCFT Downlight