



Luna

PD-1800~PD-1831

Our Luna pendants, sconces, chandeliers, and ceiling fixtures are gracious, simplistic designs offering an uncluttered look to areas needing such things. Luna is one of our more light-hearted designs: clean edges and a bold suspension system. As often happens, some of the simplest things in life are ultimately the best (...brightest) things going. With no heavy ornamentation to stop light flow, Luna is actually one of our most luminous bowls. We offer this fine fixture in a wide variety of finishes and lampings. Our modular LEDs are right! Remember to order with a dust catching top lens!

~Luna Series~

Chandelier: CH-1800~CH-1811

Pendant: PD-1800~PD-1831

Ceiling Mount: CL-1800~CL-1808

Wall Mount: SC-1800~SC-1811

Bollard: BL-1800~BL-1811

Mounting: Lightsmith fixtures mount to standard 4" octagon electrical boxes unless otherwise specified. All hardware and canopies supplied.

Listing and Warranty: Lightsmith fixtures are Underwriters Laboratories listed and carry a standard three year warranty against defects in materials and labor beginning at date of shipment.



Fixture Specifications

PD-18

FIXTURE NUMBER
(Example: PD-1800)

DIFFUSER
(Example: BGA-ECH)

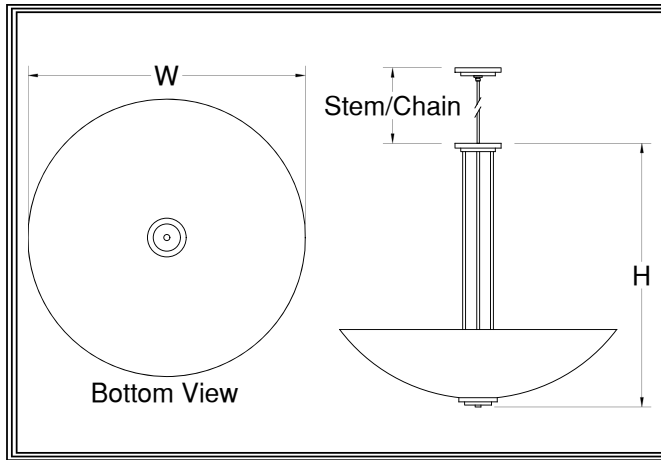
METAL FINISH
(Example: ABB)

VOLTAGE
 (120V)
 (277V)
 (347V)

STEM=S+Lgth
(Example: S-96")
CHAIN=C+Lgth
(Example: C-96")
NR=Not required

OPTIONS
(Example: DIM, REM)

MODIFICATIONS
(Example: Custom Paint*)
Use "Notes" Box At Top To Explain Modifications



PD-18
Fixture Number Job Type

Job Name

Notes~Modifications

	Fixture Number	Dimensions	Lamping	Weight	Stem/Chain	Options
LED	<input type="checkbox"/> PD-1809	20w x 24h	4-13wCLED (5640 lumens)	16 lbs	3' Std	DALI,IEM,TPL,FUS**
	<input type="checkbox"/> PD-1810	24w x 32h	6-13wCLED (8460 lumens)	21 lbs	6' Std	L423,L623
	<input type="checkbox"/> PD-1811	32w x 36h	4-23wCLED (11160 lumens)	28 lbs	9' Std	L423,L623,L311
	<input type="checkbox"/> PD-1812	36w x 44h	4-38wCLED (22936 lumens)	33 lbs	9' Std	L623,L823,L611
	<input type="checkbox"/> PD-1813	46w x 56h	6-52wCLED (56250 lumens)	52 lbs	12' Std	L623,L823,L611
INCANDESCENT	<input type="checkbox"/> PD-1820	20w x 24h	3-100wA (5220 lumens)	13 lbs	3' Std	N250
	<input type="checkbox"/> PD-1800	24w x 32h	3-150wA (7950 lumens)	18 lbs	6' Std	N300
	<input type="checkbox"/> PD-1821	32w x 36h	6-100wA (10440 lumens)	25 lbs	9' Std	N300
	<input type="checkbox"/> PD-1801	36w x 44h	6-150wA (15900 lumens)	30 lbs	9' Std	N500
	<input type="checkbox"/> PD-1802	46w x 56h	12-150wA (31800 lumens)	40 lbs	12' Std	N500
FLUORESCENT	<input type="checkbox"/> PD-1830	20w x 24h	2-42wCFT (6400 lumens)	14 lbs	3' Std	DIM,IEM,TPL,FUS*
	<input type="checkbox"/> PD-1803	24w x 32h	4-42wCFT (12800 lumens)	20 lbs	6' Std	F242
	<input type="checkbox"/> PD-1831	32w x 36h	6-42wCFT (19200 lumens)	27 lbs	9' Std	F242
	<input type="checkbox"/> PD-1804	36w x 44h	6-FT40w (19800 lumens)	40 lbs	9' Std	F442
	<input type="checkbox"/> PD-1805	46w x 56h	8-FT50w (34400 lumens)	50 lbs	12' Std	F442

~Single Circuit Standard Wiring~

*All Fluorescent Fixtures
**All LED Fixtures

DIFFUSER	DIFFUSER	DIFFUSER
<input type="checkbox"/> BGA: Beige Alabaster Acrylic	<input type="checkbox"/> GRA: Green Edge Acrylic	<input type="checkbox"/> ECH: Etched*
<input type="checkbox"/> NHA: Natural Horn Acrylic	<input type="checkbox"/> EGA: Earth Green Acrylic	*Etched option creates a matte, non-glossy finish on one side of the diffuser. (Example: WOA-ECH)
<input type="checkbox"/> WHA: White Alabaster Acrylic	<input type="checkbox"/> DGA: Deep Gold Acrylic	
<input type="checkbox"/> HNA: Honey Alabaster Acrylic	<input type="checkbox"/> SBA: Sea Blue Acrylic	
<input type="checkbox"/> WOA: White Opal Acrylic	<input type="checkbox"/> PHA: Purple Haze Acrylic	

METAL FINISH	SOLID BRASS FINISHES	PAINTED METAL FINISHES	ALUMINUM FINISHES	STAINLESS STEEL FINISHES
<input type="checkbox"/> ABB: Antique Brass	<input type="checkbox"/> DGP: Dark Green	<input type="checkbox"/> SAA: Satin Aluminum	<input type="checkbox"/> SSS: Satin	
<input type="checkbox"/> SBB: Satin Brass	<input type="checkbox"/> VGP: Verde Green	<input type="checkbox"/> SNA: Satin Nickel	<input type="checkbox"/> DSS: Distressed	
<input type="checkbox"/> PBB: Polished Brass	<input type="checkbox"/> CGP: Charcoal Gray	<input type="checkbox"/> PAA: Polished Aluminum	<input type="checkbox"/> PSS: Polished	
<input type="checkbox"/> ANB: Antique Nickel	<input type="checkbox"/> MBP: Medium Bronze	<input type="checkbox"/> BBA: Burnished Bronze	<input type="checkbox"/> HSS: Hammered	
<input type="checkbox"/> SNB: Satin Nickel	<input type="checkbox"/> SBP: Satin Black	<input type="checkbox"/> RNA: Red Naval Bronze	<input type="checkbox"/>	
<input type="checkbox"/> PNB: Polished Nickel	<input type="checkbox"/> DBP: Dark Bronze	<input type="checkbox"/> SGA: Satin Gold	<input type="checkbox"/>	
<input type="checkbox"/> AZB: Antique Bronze	<input type="checkbox"/> LBP: Light Bronze	<input type="checkbox"/> SBA: Satin Bronze	<input type="checkbox"/>	
<input type="checkbox"/> SZB: Satin Bronze	<input type="checkbox"/> MGP: Medium Gold	<input type="checkbox"/> ORA: Oil Rubbed Bronze	<input type="checkbox"/>	
<input type="checkbox"/> PZB: Polished Bronze	<input type="checkbox"/> SCP: Sponged Copper	<input type="checkbox"/> SCA: Satin Copper	<input type="checkbox"/>	
<input type="checkbox"/> CSB: Custom Brass*	<input type="checkbox"/> CSP: Custom Paint*	<input type="checkbox"/> CSA: Custom Aluminum*	<input type="checkbox"/> CSS: Custom SS*	

OPTIONS	OPTIONS	OPTIONS
<input type="checkbox"/> N250: 250wPar38 Downlight	<input type="checkbox"/> L311: 3-11wCLED Uplight	<input type="checkbox"/> FUS: Fusing
<input type="checkbox"/> N300: 300wPar56 Downlight	<input type="checkbox"/> L611: 6-11wCLED Uplight	<input type="checkbox"/> IEM: Integral Emer.Ballast
<input type="checkbox"/> N500: 500wPar56 Downlight	<input type="checkbox"/> L423: 4-23wCLED Downlight	<input type="checkbox"/> DALI: Dali dimming LED
<input type="checkbox"/> DIM: Dimming Ballast	<input type="checkbox"/> L623: 6-23wCLED Downlight	<input type="checkbox"/> F242: 2-42wCFT Downlight
<input type="checkbox"/> TPL: Top Lens	<input type="checkbox"/> L823: 8-23wCLED Downlight	<input type="checkbox"/> F442: 4-42wCFT Downlight