



D'sandre

PD-1700~PD-1731

Our D'sandre fixtures are just fine architectural masterpieces meant for mounting in state and federal buildings. They also look just right in classic university settings and historic public places. These octagonal fixtures are filled with classical motifs. You will see greek key moldings at top leading from the colonial cornices down into true ribbon and stick fascies designs that border the diffuser panels top and bottom. Deeply embossed egg and dart trim repeats top, center, and bottom. We build these fixtures in a variety of metals and diffusers. Lamping options abound. Very fine!

~D'sandre Series~

Chandelier: CH-1700~CH-1711

Pendant: PD-1700~PD-1731

Ceiling Mount: CL-1700~CL-1708

Wall Mount: SC-1700~SC-1711

Bollard: BL-1700~BL-1711

Mounting: Lightsmith fixtures mount to standard 4" octagon electrical boxes unless otherwise specified. All hardware and canopies supplied.

Listing and Warranty: Lightsmith fixtures are Underwriters Laboratories listed and carry a standard three year warranty against defects in materials and labor beginning at date of shipment.



Fixture Specifications

PD-17__

FIXTURE NUMBER
(Example: PD-1700)

~

DIFFUSER
(Example: BGA-ECH)

~

METAL FINISH
(Example: ABB)

~

VOLTAGE
 (120V)
 (277V)
 (347V)

~

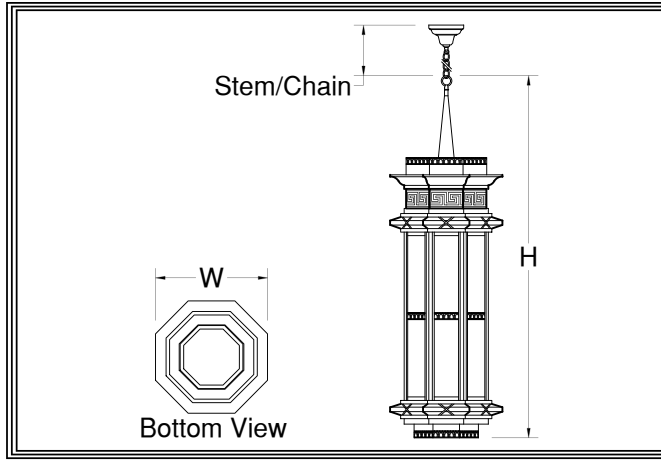
STEM=S+Lgth
(Example: S-96")
CHAIN=C+Lgth
(Example: C-96")
NR=Not required

~

OPTIONS
(Example: DIM, REM)

~

MODIFICATIONS
(Example: Custom Paint*)
Use "Notes" Box At Top To Explain Modifications



PD-17__

Fixture Number Job Type

Job Name

Notes~Modifications

	Fixture Number	Dimensions	Lamping	Weight	Stem/Chain	Options
LED	<input type="checkbox"/> PD-1709	12w x 35h	2-13wLLED	22 lbs	3' Std	DALI, REM, FUS**
	<input type="checkbox"/> PD-1710	12w x 44h	4-13wLLED/1-38wCLED	36 lbs	6' Std	L423, L623
	<input type="checkbox"/> PD-1711	14w x 51h	6-13wLLED/1-38wCLED	44 lbs	9' Std	L423, L623, L311
	<input type="checkbox"/> PD-1712	16w x 58h	12-13wLLED/1-52wCLED	52 lbs	9' Std	L623, L823, L611
	<input type="checkbox"/> PD-1713	24w x 87h	18-13wLLED/1-52wCLED	62 lbs	12' Std	L623, L823, L611
INCANDESCENT	<input type="checkbox"/> PD-1720	12w x 35h	1-150wA	16 lbs	3' Std	N250
	<input type="checkbox"/> PD-1700	12w x 44h	3-75wA/1-250wP38	28 lbs	6' Std	N300
	<input type="checkbox"/> PD-1721	14w x 51h	6-75wA/1-250wP38	36 lbs	9' Std	N300
	<input type="checkbox"/> PD-1701	16w x 58h	6-75wA/1-500wR40	44 lbs	9' Std	N500
	<input type="checkbox"/> PD-1702	24w x 87h	9-75wA/1-500wR40	lbs	12' Std	N500
FLUORESCENT	<input type="checkbox"/> PD-1730	12w x 35h	1-42wCFT	10 lbs	3' Std	DIM, IEM, REM, FUS*
	<input type="checkbox"/> PD-1703	12w x 44h	2-42wCFT/2-42wCFTdn	17 lbs	6' Std	L311
	<input type="checkbox"/> PD-1731	14w x 51h	4-42wCFT/2-42wCFTdn	20 lbs	9' Std	L311
	<input type="checkbox"/> PD-1704	16w x 58h	6-FT40w/4-42wCFTdn	24 lbs	9' Std	L611
	<input type="checkbox"/> PD-1705	24w x 87h	6-FT50w/4-42wCFTdn	29 lbs	12' Std	L611

*All Fluorescent Fixtures
**All LED Fixtures

DIFFUSER	<input type="checkbox"/> BGA: Beige Alabaster Acrylic	<input type="checkbox"/> GRA: Green Edge Acrylic	<input type="checkbox"/> ECH: Etched*
	<input type="checkbox"/> NHA: Natural Horn Acrylic	<input type="checkbox"/> EGA: Earth Green Acrylic	*Etched option creates a matte, non-glossy finish on one side of the diffuser. (Example: WOA-ECH)
	<input type="checkbox"/> WHA: White Alabaster Acrylic	<input type="checkbox"/> DGA: Deep Gold Acrylic	
	<input type="checkbox"/> HNA: Honey Alabaster Acrylic	<input type="checkbox"/> SBA: Sea Blue Acrylic	
	<input type="checkbox"/> WOA: White Opal Acrylic	<input type="checkbox"/> PHA: Purple Haze Acrylic	

	SOLID BRASS FINISHES	PAINTED METAL FINISHES	ALUMINUM FINISHES	STAINLESS STEEL FINISHES
METAL FINISH	<input type="checkbox"/> ABB: Antique Brass	<input type="checkbox"/> DGP: Dark Green	<input type="checkbox"/> SAA: Satin Aluminum	<input type="checkbox"/> SSS: Satin
	<input type="checkbox"/> SBB: Satin Brass	<input type="checkbox"/> VGP: Verde Green	<input type="checkbox"/> SNA: Satin Nickel	<input type="checkbox"/> DSS: Distressed
	<input type="checkbox"/> PBB: Polished Brass	<input type="checkbox"/> CGP: Charcoal Gray	<input type="checkbox"/> PAA: Polished Aluminum	<input type="checkbox"/> PSS: Polished
	<input type="checkbox"/> ANB: Antique Nickel	<input type="checkbox"/> MBP: Medium Bronze	<input type="checkbox"/> BBA: Burnished Bronze	<input type="checkbox"/> HSS: Hammered
	<input type="checkbox"/> SNB: Satin Nickel	<input type="checkbox"/> SBP: Satin Black	<input type="checkbox"/> RNA: Red Naval Bronze	<input type="checkbox"/>
	<input type="checkbox"/> PNB: Polished Nickel	<input type="checkbox"/> DBP: Dark Bronze	<input type="checkbox"/> SGA: Satin Gold	<input type="checkbox"/>
	<input type="checkbox"/> AZB: Antique Bronze	<input type="checkbox"/> LBP: Light Bronze	<input type="checkbox"/> SBA: Satin Bronze	<input type="checkbox"/>
	<input type="checkbox"/> SZB: Satin Bronze	<input type="checkbox"/> MGP: Medium Gold	<input type="checkbox"/> ORA: Oil Rubbed Bronze	<input type="checkbox"/>
	<input type="checkbox"/> PZB: Polished Bronze	<input type="checkbox"/> SCP: Sponged Copper	<input type="checkbox"/> SCA: Satin Copper	<input type="checkbox"/>
	<input type="checkbox"/> CSB: Custom Brass*	<input type="checkbox"/> CSP: Custom Paint*	<input type="checkbox"/> CSA: Custom Aluminum*	<input type="checkbox"/>
	<input type="checkbox"/>			<input type="checkbox"/> CSS: Custom SS*
	<input type="checkbox"/>			<input type="checkbox"/>
	<input type="checkbox"/>			<input type="checkbox"/>
	<input type="checkbox"/>			<input type="checkbox"/>

OPTIONS	<input type="checkbox"/> N250: 250wPar38 Downlight	<input type="checkbox"/> L311: 3-11wCLED Uplight	<input type="checkbox"/> FUS: Fusing
	<input type="checkbox"/> N300: 300wPar56 Downlight	<input type="checkbox"/> L611: 6-11wCLED Uplight	<input type="checkbox"/> IEM: Integral Emer. Ballast
	<input type="checkbox"/> N500: 500wPar56 Downlight	<input type="checkbox"/> L423: 4-23wCLED Downlight	<input type="checkbox"/> DALI: Dali dimming LED
	<input type="checkbox"/> DIM: Dimming Ballast	<input type="checkbox"/> L623: 6-23wCLED Downlight	<input type="checkbox"/>
	<input type="checkbox"/> REM: Remote Emer. Ballast	<input type="checkbox"/> L823: 8-23wCLED Downlight	<input type="checkbox"/>
	<input type="checkbox"/>		<input type="checkbox"/>
	<input type="checkbox"/>		<input type="checkbox"/>
	<input type="checkbox"/>		<input type="checkbox"/>