



Tristan

PD-1500~PD-1531

Our Tristan fixtures feature seamless bowls and sconces combining contemporary clean looks with a splash of classic styling in the rings and support assemblies. Metal finishes will run from bright solid brasses to dark powdercoats on top of an aluminum frame. The effects can be quite dramatic when put into the context of a traditional or contemporary styled environment. We recommend the top lens options where available. And please consider our CFL and LED lighting options. You will find that our 50,000 hour LED's will make your maintenance guys totally joyous!

~Tristan Series~

Chandelier: CH-1500~CH-1511

Pendant: PD-1500~PD-1531

Ceiling Mount: CL-1500~CL-1508

Wall Mount: SC-1500~SC-1511

Bollard: BL-1500~BL-1511

Mounting: Lightsmith fixtures mount to standard 4" octagon electrical boxes unless otherwise specified. All hardware and canopies supplied.

Listing and Warranty: Lightsmith fixtures are Underwriters Laboratories listed and carry a standard three year warranty against defects in materials and labor beginning at date of shipment.



Fixture Specifications

PD-15

FIXTURE NUMBER
(Example: PD-1500)

~

DIFFUSER
(Example: BGA-ECH)

~

METAL FINISH
(Example: ABB)

~

VOLTAGE
 (120V)
 (277V)
 (347V)

~

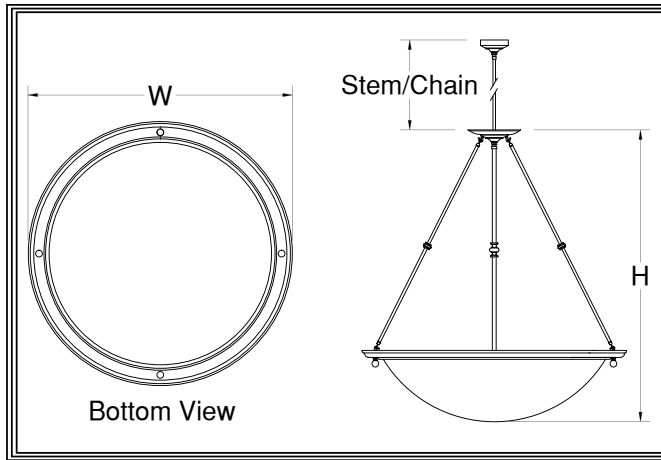
STEM=S+Lgth
(Example: S-96")
CHAIN=C+Lgth
(Example: C-96")
NR=Not required

~

OPTIONS
(Example: DIM, REM)

~

MODIFICATIONS
(Example: Custom Paint*)
Use "Notes" Box At Top To Explain Modifications



PD-15

Fixture Number Job Type

Job Name

Notes~Modifications

	Fixture Number	Dimensions	Lamping	Weight	Stem/Chain	Options
LED	<input type="checkbox"/> PD-1509	20w x 24h	4-13wCLED	22 lbs	3' Std	DALI,IEM,TPL,FUS**
	<input type="checkbox"/> PD-1510	26w x 30h	6-13wCLED	27 lbs	6' Std	L423,L623
	<input type="checkbox"/> PD-1511	32w x 36h	4-23wCLED	34 lbs	9' Std	L423,L623,L311
	<input type="checkbox"/> PD-1512	38w x 42h	4-38wCLED	39 lbs	9' Std	L623,L823,L611
	<input type="checkbox"/> PD-1513	46w x 50h	6-52wCLED	49 lbs	12' Std	L623,L823,L611
INCANDESCENT	<input type="checkbox"/> PD-1520	20w x 24h	3-100wA	19 lbs	3' Std	N250
	<input type="checkbox"/> PD-1500	26w x 30h	3-150wA	24 lbs	6' Std	N300
	<input type="checkbox"/> PD-1521	32w x 36h	6-100wA	31 lbs	9' Std	N300
	<input type="checkbox"/> PD-1501	38w x 42h	6-150wA	36 lbs	9' Std	N500
	<input type="checkbox"/> PD-1502	46w x 50h	12-150wA	46 lbs	12' Std	N500
FLUORESCENT	<input type="checkbox"/> PD-1530	20w x 24h	2-42wCFT	21 lbs	3' Std	DIM,IEM,TPL,FUS*
	<input type="checkbox"/> PD-1503	26w x 30h	4-42wCFT	26 lbs	6' Std	F242
	<input type="checkbox"/> PD-1531	32w x 36h	6-42wCFT	33 lbs	9' Std	F242
	<input type="checkbox"/> PD-1504	38w x 42h	6-FT40w	38 lbs	9' Std	F442
	<input type="checkbox"/> PD-1505	46w x 50h	8-FT50w	48 lbs	12' Std	F442

~Single Circuit Standard Wiring~

*All Fluorescent Fixtures
**All LED Fixtures

DIFFUSER	<input type="checkbox"/> BGA: Beige Alabaster Acrylic	<input type="checkbox"/> GRA: Green Edge Acrylic	<input type="checkbox"/> ECH: Etched*
	<input type="checkbox"/> NHA: Natural Horn Acrylic	<input type="checkbox"/> EGA: Earth Green Acrylic	*Etched option creates a matte, non-glossy finish on one side of the diffuser. (Example: WOA-ECH)
	<input type="checkbox"/> WHA: White Alabaster Acrylic	<input type="checkbox"/> DGA: Deep Gold Acrylic	
	<input type="checkbox"/> HNA: Honey Alabaster Acrylic	<input type="checkbox"/> SBA: Sea Blue Acrylic	
	<input type="checkbox"/> WOA: White Opal Acrylic	<input type="checkbox"/> PHA: Purple Haze Acrylic	

	SOLID BRASS FINISHES	PAINTED METAL FINISHES	ALUMINUM FINISHES	STAINLESS STEEL FINISHES
METAL FINISH	<input type="checkbox"/> ABB: Antique Brass	<input type="checkbox"/> DGP: Dark Green	<input type="checkbox"/> SAA: Satin Aluminum	<input type="checkbox"/> SSS: Satin
	<input type="checkbox"/> SBB: Satin Brass	<input type="checkbox"/> VGP: Verde Green	<input type="checkbox"/> SNA: Satin Nickel	<input type="checkbox"/> DSS: Distressed
	<input type="checkbox"/> PBB: Polished Brass	<input type="checkbox"/> CGP: Charcoal Gray	<input type="checkbox"/> PAA: Polished Aluminum	<input type="checkbox"/> PSS: Polished
	<input type="checkbox"/> ANB: Antique Nickel	<input type="checkbox"/> MBP: Medium Bronze	<input type="checkbox"/> BBA: Burnished Bronze	<input type="checkbox"/> HSS: Hammered
	<input type="checkbox"/> SNB: Satin Nickel	<input type="checkbox"/> SBP: Satin Black	<input type="checkbox"/> RNA: Red Naval Bronze	<input type="checkbox"/>
	<input type="checkbox"/> PNB: Polished Nickel	<input type="checkbox"/> DBP: Dark Bronze	<input type="checkbox"/> SGA: Satin Gold	<input type="checkbox"/>
	<input type="checkbox"/> AZB: Antique Bronze	<input type="checkbox"/> LBP: Light Bronze	<input type="checkbox"/> SBA: Satin Bronze	<input type="checkbox"/>
	<input type="checkbox"/> SZB: Satin Bronze	<input type="checkbox"/> MGP: Medium Gold	<input type="checkbox"/> ORA: Oil Rubbed Bronze	<input type="checkbox"/>
	<input type="checkbox"/> PZB: Polished Bronze	<input type="checkbox"/> SCP: Sponged Copper	<input type="checkbox"/> SCA: Satin Copper	<input type="checkbox"/>
	<input type="checkbox"/> CSB: Custom Brass*	<input type="checkbox"/> CSP: Custom Paint*	<input type="checkbox"/> CSA: Custom Aluminum*	<input type="checkbox"/>
	<input type="checkbox"/>			<input type="checkbox"/> CSS: Custom SS*
	<input type="checkbox"/>			<input type="checkbox"/>
	<input type="checkbox"/>			<input type="checkbox"/>
	<input type="checkbox"/>			<input type="checkbox"/>

OPTIONS	<input type="checkbox"/> N250: 250wPar38 Downlight	<input type="checkbox"/> L311: 3-11wCLED Uplight	<input type="checkbox"/> FUS: Fusing
	<input type="checkbox"/> N300: 300wPar56 Downlight	<input type="checkbox"/> L611: 6-11wCLED Uplight	<input type="checkbox"/> IEM: Integral Emer.Ballast
	<input type="checkbox"/> N500: 500wPar56 Downlight	<input type="checkbox"/> L423: 4-23wCLED Downlight	<input type="checkbox"/> DALI: Dali dimming LED
	<input type="checkbox"/> DIM: Dimming Ballast	<input type="checkbox"/> L623: 6-23wCLED Downlight	<input type="checkbox"/> F242: 2-42wCFT Downlight
	<input type="checkbox"/> TPL: Top Lens	<input type="checkbox"/> L823: 8-23wCLED Downlight	<input type="checkbox"/> F442: 4-42wCFT Downlight
	<input type="checkbox"/>		
	<input type="checkbox"/>		
	<input type="checkbox"/>		