



Alcina

PD-1400~PD-1431

Our Alcina fixtures are just the right combination of straights and curves. We build them from healthy metal rods and bars that can be brass or aluminum...and maybe even stainless steel if the need arises. Pendants, sconces, and chandeliers of this series are totally dramatic in design. We build them all as showpieces for areas in need of some extra glitz. Feel free to mix and match metals and colors. We are really flexible with these lights offering polished accents in conjunction with dark solid colors. There are many finish and diffuser options. And our LED lampings will solve a lot of maintenance problems.

~Alcina Series~

- Chandelier: CH-1400~CH-1411
- Pendant: PD-1400~PD-1431
- Ceiling Mount: CL-1400~CL-1408
- Wall Mount: SC-1400~SC-1411
- Bollard: BL-1400~BL-1411

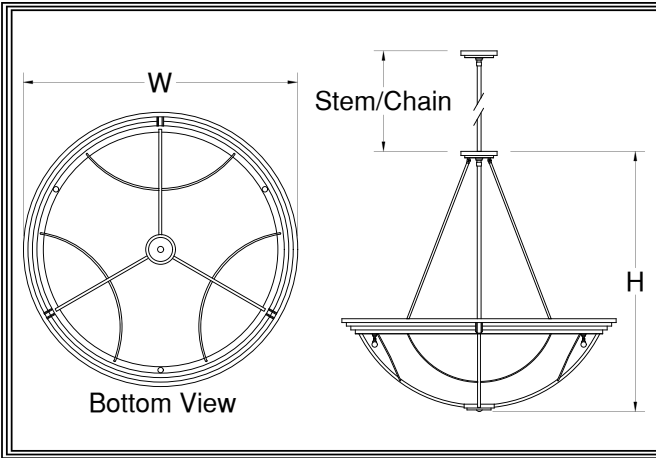
Mounting: Lightsmith fixtures mount to standard 4" octagon electrical boxes unless otherwise specified. All hardware and canopies supplied.

Listing and Warranty: Lightsmith fixtures are Underwriters Laboratories listed and carry a standard three year warranty against defects in materials and labor beginning at date of shipment.



Fixture Specifications

PD-14 <small>FIXTURE NUMBER (Example: PD-1400)</small>	~	<small>DIFFUSER (Example: BGA-ECH)</small>	~	<small>METAL FINISH (Example: ABB)</small>	~	<small>VOLTAGE <input type="checkbox"/> (120V) <input type="checkbox"/> (277V) <input type="checkbox"/> (347V) </small>	~	<small>STEM=S+Lgth (Example: S-96") CHAIN=C+Lgth (Example: C-96") NR=Not required </small>	~	<small>OPTIONS (Example: DIM, REM)</small>	~	<small>MODIFICATIONS (Example: Custom Paint) Use "Notes" Box At Top To Explain Modifications </small>
--	---	--	---	--	---	--	---	--	---	--	---	--



PD-14

Fixture Number Job Type

Job Name

Notes~Modifications

	Fixture Number	Dimensions	Lamping	Weight	Stem/Chain	Options
LED	<input type="checkbox"/> PD-1409	20w x 24h	4-13wCLED	22 lbs	3' Std	DALI,IEM,TPL,FUS**
	<input type="checkbox"/> PD-1410	26w x 30h	6-13wCLED	27 lbs	6' Std	L423,L623
	<input type="checkbox"/> PD-1411	32w x 36h	4-23wCLED	34 lbs	9' Std	L423,L623,L311
	<input type="checkbox"/> PD-1412	38w x 42h	4-38wCLED	39 lbs	9' Std	L623,L823,L611
	<input type="checkbox"/> PD-1413	46w x 50h	6-52wCLED	49 lbs	12' Std	L623,L823,L611
INCANDESCENT	<input type="checkbox"/> PD-1420	20w x 24h	3-100wA	19 lbs	3' Std	N250
	<input type="checkbox"/> PD-1400	26w x 30h	3-150wA	24 lbs	6' Std	N300
	<input type="checkbox"/> PD-1421	32w x 36h	6-100wA	31 lbs	9' Std	N300
	<input type="checkbox"/> PD-1401	38w x 42h	6-150wA	36 lbs	9' Std	N500
	<input type="checkbox"/> PD-1402	46w x 50h	12-150wA	46 lbs	12' Std	N500
FLUORESCENT	<input type="checkbox"/> PD-1430	20w x 24h	2-42wCFT	21 lbs	3' Std	DIM,IEM,TPL,FUS*
	<input type="checkbox"/> PD-1403	26w x 30h	4-42wCFT	26 lbs	6' Std	F242
	<input type="checkbox"/> PD-1431	32w x 36h	6-42wCFT	33 lbs	9' Std	F242
	<input type="checkbox"/> PD-1404	38w x 42h	6-FT40w	38 lbs	9' Std	F442
	<input type="checkbox"/> PD-1405	46w x 50h	8-FT50w	48 lbs	12' Std	F442

~Single Circuit Standard Wiring~

*All Fluorescent Fixtures
**All LED Fixtures

DIFFUSER	<input type="checkbox"/> BGA: Beige Alabaster Acrylic	<input type="checkbox"/> GRA: Green Edge Acrylic	<input type="checkbox"/> ECH: Etched*
	<input type="checkbox"/> NHA: Natural Horn Acrylic	<input type="checkbox"/> EGA: Earth Green Acrylic	*Etched option creates a matte, non-glossy finish on one side of the diffuser. (Example: WOA-ECH)
	<input type="checkbox"/> WHA: White Alabaster Acrylic	<input type="checkbox"/> DGA: Deep Gold Acrylic	
	<input type="checkbox"/> HNA: Honey Alabaster Acrylic	<input type="checkbox"/> SBA: Sea Blue Acrylic	
	<input type="checkbox"/> WOA: White Opal Acrylic	<input type="checkbox"/> PHA: Purple Haze Acrylic	

	SOLID BRASS FINISHES	PAINTED METAL FINISHES	ALUMINUM FINISHES	STAINLESS STEEL FINISHES
METAL FINISH	<input type="checkbox"/> ABB: Antique Brass	<input type="checkbox"/> DGP: Dark Green	<input type="checkbox"/> SAA: Satin Aluminum	<input type="checkbox"/> SSS: Satin
	<input type="checkbox"/> SBB: Satin Brass	<input type="checkbox"/> VGP: Verde Green	<input type="checkbox"/> SNA: Satin Nickel	<input type="checkbox"/> DSS: Distressed
	<input type="checkbox"/> PBB: Polished Brass	<input type="checkbox"/> CGP: Charcoal Gray	<input type="checkbox"/> PAA: Polished Aluminum	<input type="checkbox"/> PSS: Polished
	<input type="checkbox"/> ANB: Antique Nickel	<input type="checkbox"/> MBP: Medium Bronze	<input type="checkbox"/> BBA: Burnished Bronze	<input type="checkbox"/> HSS: Hammered
	<input type="checkbox"/> SNB: Satin Nickel	<input type="checkbox"/> SBP: Satin Black	<input type="checkbox"/> RNA: Red Naval Bronze	<input type="checkbox"/>
	<input type="checkbox"/> PNB: Polished Nickel	<input type="checkbox"/> DBP: Dark Bronze	<input type="checkbox"/> SGA: Satin Gold	<input type="checkbox"/>
	<input type="checkbox"/> AZB: Antique Bronze	<input type="checkbox"/> LBP: Light Bronze	<input type="checkbox"/> SBA: Satin Bronze	<input type="checkbox"/>
	<input type="checkbox"/> SZB: Satin Bronze	<input type="checkbox"/> MGP: Medium Gold	<input type="checkbox"/> ORA: Oil Rubbed Bronze	<input type="checkbox"/>
	<input type="checkbox"/> PZB: Polished Bronze	<input type="checkbox"/> SCP: Sponged Copper	<input type="checkbox"/> SCA: Satin Copper	<input type="checkbox"/>
	<input type="checkbox"/> CSB: Custom Brass*	<input type="checkbox"/> CSP: Custom Paint*	<input type="checkbox"/> CSA: Custom Aluminum*	<input type="checkbox"/>
	<input type="checkbox"/>			<input type="checkbox"/> CSS: Custom SS*
	<input type="checkbox"/>			<input type="checkbox"/>
	<input type="checkbox"/>			<input type="checkbox"/>
	<input type="checkbox"/>			<input type="checkbox"/>

OPTIONS	<input type="checkbox"/> N250: 250wPar38 Downlight	<input type="checkbox"/> L311: 3-11wCLED Uplight	<input type="checkbox"/> FUS: Fusing
	<input type="checkbox"/> N300: 300wPar56 Downlight	<input type="checkbox"/> L611: 6-11wCLED Uplight	<input type="checkbox"/> IEM: Integral Emer.Ballast
	<input type="checkbox"/> N500: 500wPar56 Downlight	<input type="checkbox"/> L423: 4-23wCLED Downlight	<input type="checkbox"/> DALI: Dali dimming LED
	<input type="checkbox"/> DIM: Dimming Ballast	<input type="checkbox"/> L623: 6-23wCLED Downlight	<input type="checkbox"/> F242: 2-42wCFT Downlight
	<input type="checkbox"/> TPL: Top Lens	<input type="checkbox"/> L823: 8-23wCLED Downlight	<input type="checkbox"/> F442: 4-42wCFT Downlight
	<input type="checkbox"/>		