



Cordoba

EX-13600~EX-13611

Our Cordoba exterior brackets are solid, well proportioned wall lanterns built to last for many years to come. They feature heaviest bar stock curls and tube extensions as well as thick hexagonal layered body frames. The bottom and top finishing ornaments are cast brass and the dome sections are brass spinnings. These are marvelous fixtures that will still look just right in another 100 years. They are meant for longevity and a timeless beauty that will ultimately build a solid association between the fixtures and the buildings they inhabit. Classic looks and functional efficiency.

~Cordoba Series~

Mounting: Lightsmith fixtures mount to standard 4" octagon electrical boxes unless otherwise specified. All hardware and canopies supplied.

Listing and Warranty: Lightsmith fixtures are Underwriters Laboratories listed and carry a standard three year warranty against defects in materials and labor beginning at date of shipment.



Fixture Specifications

EX-136
 FIXTURE NUMBER
 (Example: EX-13600)

~
 DIFFUSER
 (Example: WOG-ECH)

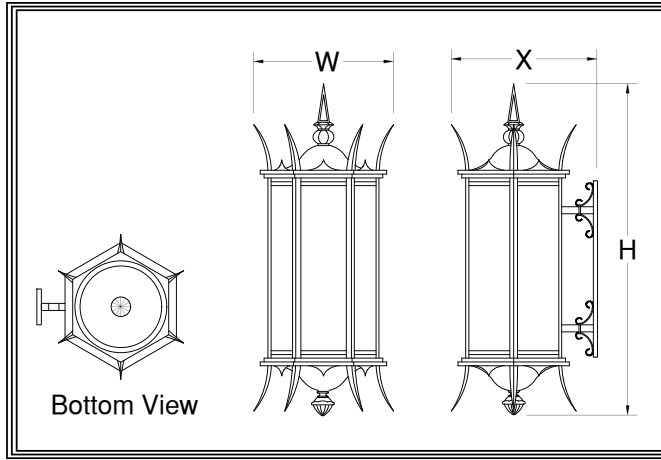
~
 METAL FINISH
 (Example: ABB)

~
 VOLTAGE
 (120V)
 (277V)
 (347V)

~ **NR**
 STEM=S+Lgth
 (Example:S-96")
 CHAIN=C+Lgth
 (Example:C-96")
 NR=Not required

~
 OPTIONS
 (Example:SPR)

~
 MODIFICATIONS
 (Example:Custom Paint)
 Use "Notes" Box At Top To Explain Modifications



EX-136
 Fixture Number Job Type

Job Name

Notes~Modifications

	Fixture Number	Dimensions	Lamping	Weight	Options
LED	<input type="checkbox"/> EX-13604	15w x 36h x 16x	1-13wLLED (1410 lumens)	36 lbs	WLM
	<input type="checkbox"/> EX-13610	19w x 46h x 20x	1-23wLLED (2790 lumens)	48 lbs	WLM
	<input type="checkbox"/> EX-13611	25w x 60h x 26x	1-38wLLED (5734 lumens)	62 lbs	WLM REM,SPR**
INCANDESCENT	<input type="checkbox"/> EX-13600	15w x 36h x 16x	1-60wA (800 lumens)	34 lbs	WLM
	<input type="checkbox"/> EX-13601	19w x 46h x 20x	1-100wA (1740 lumens)	46 lbs	WLM
	<input type="checkbox"/> EX-13602	25w x 60h x 26x	1-150wA (2680 lumens)	60 lbs	WLM
FLUORESCENT	<input type="checkbox"/>				

~Single Circuit Standard Wiring~

**All LED Fixtures

DIFFUSER:

WOG: White Opal Glass
 CLG: Clear Glass

ECH: Etched*
**Etched option creates a matte, non-glossy finish on one side of the diffuser. (Example:WOA-ECH)*

	SOLID BRASS FINISHES	PAINTED METAL FINISHES	ALUMINUM FINISHES	STAINLESS STEEL FINISHES
METAL FINISH	<input type="checkbox"/> ABB: Antique Brass	<input type="checkbox"/> NA	<input type="checkbox"/> NA	<input type="checkbox"/> NA
	<input type="checkbox"/> SBB: Satin Brass	<input type="checkbox"/>	<input type="checkbox"/>	<input type="checkbox"/>
	<input type="checkbox"/> PBB: Polished Brass	<input type="checkbox"/>	<input type="checkbox"/>	<input type="checkbox"/>
	<input type="checkbox"/> ANB: Antique Nickel	<input type="checkbox"/>	<input type="checkbox"/>	<input type="checkbox"/>
	<input type="checkbox"/> SNB: Satin Nickel	<input type="checkbox"/>	<input type="checkbox"/>	<input type="checkbox"/>
	<input type="checkbox"/> PNB: Polished Nickel	<input type="checkbox"/>	<input type="checkbox"/>	<input type="checkbox"/>
	<input type="checkbox"/> AZB: Antique Bronze	<input type="checkbox"/>	<input type="checkbox"/>	<input type="checkbox"/>
	<input type="checkbox"/> SZB: Satin Bronze	<input type="checkbox"/>	<input type="checkbox"/>	<input type="checkbox"/>
	<input type="checkbox"/> PZB: Polished Bronze	<input type="checkbox"/>	<input type="checkbox"/>	<input type="checkbox"/>
	<input type="checkbox"/> CSB: Custom Brass*	<input type="checkbox"/>	<input type="checkbox"/>	<input type="checkbox"/>

OPTIONS:

REM: Remote Emer.Ballast*
 WLM: Wet Location Mtg

SPR: Surge protector