



Leith

PD-12200~PD-12221

Our Leith fixtures would have been right at home in a 1930's movie about newspaper or bank offices. The Leith ring pendant was one of the first truly indirect styles. They were originally made for huge 500w A-lamps as a way to push high value foot-candles onto the ceiling and then return them to the floor. By building these fixtures in open metal layers, it was possible to highlight the topmost metal ring from underneath, thereby showing the true color of the metal frame. Residual rays will bounce off the lower ring for a wider dispersion. Just right with today's modular LED lamping.

~Leith Series~

Chandelier: CH-12201~CH-12215

Pendant: PD-12200~PD-12221

Ceiling Mt: CL-12200~CL-12208

Wall Mt: SC-12200~SC-12211

Bollard: BL-12200~BL-12211

Mounting: Lightsmith fixtures mount to standard 4" octagon electrical boxes unless otherwise specified. All hardware and canopies supplied.

Listing and Warranty: Lightsmith fixtures are Underwriters Laboratories listed and carry a standard three year warranty against defects in materials and labor beginning at date of shipment.



Fixture Specifications

PD-122
FIXTURE NUMBER
(Example: PD-12200)

~ **DIFFUSER**
(Example: BGA-ECH)

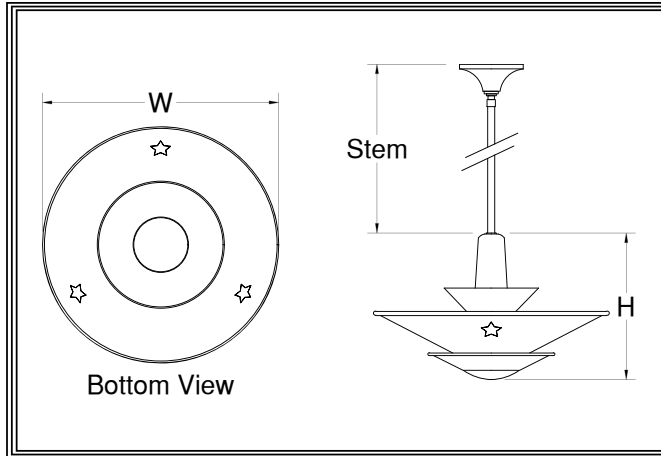
~ **METAL FINISH**
(Example: ABB)

~ **VOLTAGE**
 (120V)
 (277V)
 (347V)

~ **CABLE=C+Lgth**
Example:(C-96")

~ **OPTIONS**
(Example: DIM, REM)

~ **MODIFICATIONS**
(Example: Custom Paint*)
Use "Notes" Box At Top To Explain Modifications



PD-122

Fixture Number Job Type

Job Name

Notes~Modifications

	Fixture Number	Dimensions	Lamping	Weight	Stems	Options
LED	<input type="checkbox"/> PD-12209	18w x 11h	1-13wL(1410 lm)	12 lbs	3' Std	REM, SPR**
	<input type="checkbox"/> PD-12210	24w x 15h	1-23wL(2790 lm)	20 lbs	6' Std	DLM
	<input type="checkbox"/> PD-12211	30w x 19h	1-38wL(5734 lm)	24 lbs	9' Std	DLM
	<input type="checkbox"/> PD-12212	36w x 22h	1-52wL(9375 lm)	27 lbs	9' Std	DLM
	<input type="checkbox"/> PD-12213	42w x 26h	1-83wL(12597 lm)	33 lbs	12' Std	DLM
INCANDESCENT	<input type="checkbox"/> PD-12220	18w x 11h	1-75wA(1200 lm)	10 lbs	3' Std	L38
	<input type="checkbox"/> PD-12200	24w x 15h	1-100wA(1740 lm)	16 lbs	6' Std	L52
	<input type="checkbox"/> PD-12221	30w x 19h	1-150wA(2780 lm)	20 lbs	9' Std	L52
	<input type="checkbox"/> PD-12201	36w x 22h	1-300wPS(5110 lm)	24 lbs	9' Std	L83
	<input type="checkbox"/> PD-12202	42w x 26h	1-500wPS(9070 lm)	29 lbs	12' Std	L83
FLUORESCENT	<input type="checkbox"/>					

~Single Circuit Standard Wiring~

**All LED Fixtures

DIFFUSER	<input type="checkbox"/> BGA: Beige Alabaster Acrylic	<input type="checkbox"/> GRA: Green Edge Acrylic	<input type="checkbox"/> ECH: Etched*
	<input type="checkbox"/> NHA: Natural Horn Acrylic	<input type="checkbox"/> EGA: Earth Green Acrylic	*Etched option creates a matte, non-glossy finish on one side of the diffuser. (Example: WOA-ECH)
	<input type="checkbox"/> WHA: White Alabaster Acrylic	<input type="checkbox"/> DGA: Deep Gold Acrylic	
	<input type="checkbox"/> HNA: Honey Alabaster Acrylic	<input type="checkbox"/> SBA: Sea Blue Acrylic	
	<input type="checkbox"/> WOA: White Opal Acrylic	<input type="checkbox"/> RNA: Rain Acrylic	

	SOLID BRASS FINISHES	PAINTED METAL FINISHES	ALUMINUM FINISHES	STAINLESS STEEL FINISHES
METAL FINISH	<input type="checkbox"/> ABB: Antique Brass	<input type="checkbox"/> DGP: Dark Green	<input type="checkbox"/> SAA: Satin Aluminum	<input type="checkbox"/> NA
	<input type="checkbox"/> SBB: Satin Brass	<input type="checkbox"/> VGP: Verde Green	<input type="checkbox"/> SNA: Satin Nickel	<input type="checkbox"/>
	<input type="checkbox"/> PBB: Polished Brass	<input type="checkbox"/> CGP: Charcoal Gray	<input type="checkbox"/> PAA: Polished Aluminum	<input type="checkbox"/>
	<input type="checkbox"/> ANB: Antique Nickel	<input type="checkbox"/> MBP: Medium Bronze	<input type="checkbox"/> BBA: Burnished Bronze	<input type="checkbox"/>
	<input type="checkbox"/> SNB: Satin Nickel	<input type="checkbox"/> SBP: Satin Black	<input type="checkbox"/> RNA: Red Naval Bronze	<input type="checkbox"/>
	<input type="checkbox"/> PNB: Polished Nickel	<input type="checkbox"/> DBP: Dark Bronze	<input type="checkbox"/> SGA: Satin Gold	<input type="checkbox"/>
	<input type="checkbox"/> AZB: Antique Bronze	<input type="checkbox"/> LBP: Light Bronze	<input type="checkbox"/> SBA: Satin Bronze	<input type="checkbox"/>
	<input type="checkbox"/> SZB: Satin Bronze	<input type="checkbox"/> MGP: Medium Gold	<input type="checkbox"/> ORA: Oil Rubbed Bronze	<input type="checkbox"/>
	<input type="checkbox"/> PZB: Polished Bronze	<input type="checkbox"/> SCP: Sponged Copper	<input type="checkbox"/> SCA: Satin Copper	<input type="checkbox"/>
	<input type="checkbox"/> CSB: Custom Brass*	<input type="checkbox"/> CSP: Custom Paint*	<input type="checkbox"/> CSA: Custom Aluminum*	<input type="checkbox"/>

OPTIONS	<input type="checkbox"/> L38: 38wLED R40 Downlight	<input type="checkbox"/> REM: Remote Emer. Driver	<input type="checkbox"/> SPR: Surge Protector
	<input type="checkbox"/> L52: 52wLED R40 Downlight	<input type="checkbox"/> DLM: Damp Location Mtg	<input type="checkbox"/>
	<input type="checkbox"/> L83: 83wLED R40 Downlight	<input type="checkbox"/>	<input type="checkbox"/>
	<input type="checkbox"/> DIM: Dimming Driver (std)	<input type="checkbox"/>	<input type="checkbox"/>
	<input type="checkbox"/>	<input type="checkbox"/>	<input type="checkbox"/>