



Ghent

PD-11900~PD-11921

Our Ghent fixtures are based in rectangular and square shapes just bent and welded into unified structures. They feature large areas of light-emitting diffuser panels that are framed by simple vertical and horizontal flats. The uniformity of these designs lies in their overall modesty. Making Ghent fixtures is a conservative effort to produce the most amount of light from areas that are essential to basic design. It is a pleasure to build fixtures this lean and yet so bright. Ghent will look good in a variety of fresh architectural areas. They come in diverse colors and acylics. And our modular LED is right!

~Ghent Series~

Chandelier: CH-11901~CH-11915

Pendant: PD-11900~PD-11921

Ceiling Mt: CL-11900~CL-11908

Wall Mt: SC-11900~SC-11911

Bollard: BL-11900~BL-11911

Mounting: Lightsmith fixtures mount to standard 4" octagon electrical boxes unless otherwise specified. All hardware and canopies supplied.

Listing and Warranty: Lightsmith fixtures are Underwriters Laboratories listed and carry a standard three year warranty against defects in materials and labor beginning at date of shipment.



Fixture Specifications

PD-119
FIXTURE NUMBER
(Example: PD-11900)

~
DIFFUSER
(Example: BGA-ECH)

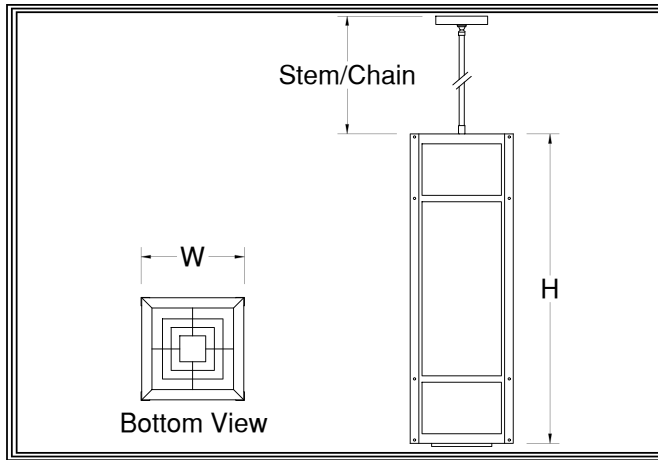
~
METAL FINISH
(Example: ABB)

~
VOLTAGE
 (120V)
 (277V)
 (347V)

~
STEM=S+Lgth
(Example: S-96")
CHAIN=C+Lgth
(Example: C-96")
NR=Not required

~
OPTIONS
(Example: DIM, REM)

~
MODIFICATIONS
(Example: Custom Paint)
Use "Notes" Box At Top To Explain Modifications



PD-119__ Job Type

Fixture Number Job Type

Job Name

Notes~Modifications

	Fixture Number	Dimensions	Lamping	Weight	Stem/Chain	Options
LED	<input type="checkbox"/> PD-11909	8w x 24h	2-13wL(2820 lm)	13 lbs	3' Std	IEM, REM, SPR**
	<input type="checkbox"/> PD-11910	10w x 30h	4-13wL(5640 lm)/1-38wC(5734 lm)	21 lbs	6' Std	L313
	<input type="checkbox"/> PD-11911	12w x 36h	6-13wL(8460 lm)/1-38wC(5734 lm)	25 lbs	9' Std	L313
	<input type="checkbox"/> PD-11912	14w x 42h	12-13wL(16920 lm)/1-52wC(9375 lm)	28 lbs	9' Std	L323
	<input type="checkbox"/> PD-11913	16w x 48h	12-13wL(16920 lm)/1-83wC(12597 lm)	34 lbs	12' Std	L323
INCANDESCENT	<input type="checkbox"/> PD-11920	8w x 24h	1-150wA(1200 lm)	11 lbs	3' Std	L38
	<input type="checkbox"/> PD-11900	10w x 30h	3-75wA(3600 lm)/1-250wP38(3600 lm)	17 lbs	6' Std	L52, L310
	<input type="checkbox"/> PD-11921	12w x 36h	6-75wA(7200 lm)/1-250wP38(3600 lm)	21 lbs	9' Std	L52, L610
	<input type="checkbox"/> PD-11901	14w x 42h	6-75wA(7200 lm)/1-500wR40(5000 lm)	25 lbs	9' Std	L83, L610
	<input type="checkbox"/> PD-11902	16w x 48h	9-75wA(10800 lm)/1-500wR40(5000 lm)	30 lbs	12' Std	L83, L910
FLUORESCENT	<input type="checkbox"/>					

~Two Circuits Standard Wiring~

**All LED Fixtures

DIFFUSER	<input type="checkbox"/> BGA: Beige Alabaster Acrylic	<input type="checkbox"/> GRA: Green Edge Acrylic	<input type="checkbox"/> ECH: Etched*
	<input type="checkbox"/> NHA: Natural Horn Acrylic	<input type="checkbox"/> EGA: Earth Green Acrylic	*Etched option creates a matte, non-glossy finish on one side of the diffuser. (Example: WOA-ECH)
	<input type="checkbox"/> WHA: White Alabaster Acrylic	<input type="checkbox"/> DGA: Deep Gold Acrylic	
	<input type="checkbox"/> HNA: Honey Alabaster Acrylic	<input type="checkbox"/> SBA: Sea Blue Acrylic	
	<input type="checkbox"/> WOA: White Opal Acrylic	<input type="checkbox"/> PHA: Purple Haze Acrylic	

	SOLID BRASS FINISHES	PAINTED METAL FINISHES	ALUMINUM FINISHES	STAINLESS STEEL FINISHES
METAL FINISH	<input type="checkbox"/> ABB: Antique Brass	<input type="checkbox"/> DGP: Dark Green	<input type="checkbox"/> SAA: Satin Aluminum	<input type="checkbox"/> SSS: Satin
	<input type="checkbox"/> SBB: Satin Brass	<input type="checkbox"/> VGP: Verde Green	<input type="checkbox"/> SNA: Satin Nickel	<input type="checkbox"/> DSS: Distressed
	<input type="checkbox"/> PBB: Polished Brass	<input type="checkbox"/> CGP: Charcoal Gray	<input type="checkbox"/> PAA: Polished Aluminum	<input type="checkbox"/> PSS: Polished
	<input type="checkbox"/> ANB: Antique Nickel	<input type="checkbox"/> MBP: Medium Bronze	<input type="checkbox"/> BBA: Burnished Bronze	<input type="checkbox"/> HSS: Hammered
	<input type="checkbox"/> SNB: Satin Nickel	<input type="checkbox"/> SBP: Satin Black	<input type="checkbox"/> RNA: Red Naval Bronze	<input type="checkbox"/>
	<input type="checkbox"/> PNB: Polished Nickel	<input type="checkbox"/> DBP: Dark Bronze	<input type="checkbox"/> SGA: Satin Gold	<input type="checkbox"/>
	<input type="checkbox"/> AZB: Antique Bronze	<input type="checkbox"/> LBP: Light Bronze	<input type="checkbox"/> SBA: Satin Bronze	<input type="checkbox"/>
	<input type="checkbox"/> SZB: Satin Bronze	<input type="checkbox"/> MGP: Medium Gold	<input type="checkbox"/> ORA: Oil Rubbed Bronze	<input type="checkbox"/>
	<input type="checkbox"/> PZB: Polished Bronze	<input type="checkbox"/> SCP: Sponged Copper	<input type="checkbox"/> SCA: Satin Copper	<input type="checkbox"/>
	<input type="checkbox"/> CSB: Custom Brass*	<input type="checkbox"/> CSP: Custom Paint*	<input type="checkbox"/> CSA: Custom Aluminum*	<input type="checkbox"/>
				<input type="checkbox"/> CSS: Custom SS*

OPTIONS	<input type="checkbox"/> L38: 38wLED R40 Downlight	<input type="checkbox"/> L313: 3-13wCLED Uplight	<input type="checkbox"/> SPR: Surge protector
	<input type="checkbox"/> L52: 52wLED R40 Downlight	<input type="checkbox"/> L323: 3-23wCLED Uplight	<input type="checkbox"/> IEM: Integral Emer. Ballast
	<input type="checkbox"/> L83: 83wLED R40 Downlight	<input type="checkbox"/> L310: 3-10wLED A-lamp	<input type="checkbox"/>
	<input type="checkbox"/> DIM: Dimming Driver (std)	<input type="checkbox"/> L610: 6-10wLED A-lamp	<input type="checkbox"/>
	<input type="checkbox"/> REM: Remote Emer. Driver	<input type="checkbox"/> L910: 9-10wLED A-lamp	<input type="checkbox"/>