



Stratford

PD-11100~PD-11121

Our Stratford fixtures are aluminum or brass chandeliers, sconces, and pendants. They are made from thick non-ferrous materials and thickest-walled seamless tubing. We offer the chandeliers in gigantic sizes...up to twelve feet in diameter and almost eight feet tall. At that point these lights are five (5) tiered and have 93 arms. Only for the brave... with very tall ceilings! So for a normal room, we have lots of options. Stratford chandeliers can be single or multi-tiered. Finishes are all on top of brass or aluminum. Pendants may be modular or medium base LED.

~Stratford Series~

Chandelier: CH-11101~CH-11115

Pendant: PD-11100~PD-11121

Ceiling Mt: CL-11100~CL-11108

Wall Mt: SC-11100~SC-11111

Bollard: BL-11100~BL-11111

Mounting: Lightsmith fixtures mount to standard 4" octagon electrical boxes unless otherwise specified. All hardware and canopies supplied.

Listing and Warranty: Lightsmith fixtures are Underwriters Laboratories listed and carry a standard three year warranty against defects in materials and labor beginning at date of shipment.



Fixture Specifications

PD-111
FIXTURE NUMBER
(Example: PD-11100)

~
DIFFUSER
(Example: BGA-ECH)

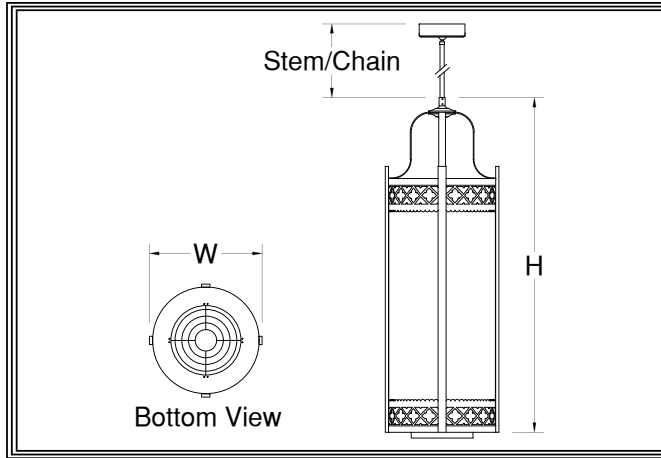
~
METAL FINISH
(Example: ABB)

~
VOLTAGE
 (120V)
 (277V)
 (347V)

~
STEM=S+Lgth
(Example: S-96")
CHAIN=C+Lgth
(Example: C-96")
NR=Not required

~
OPTIONS
(Example: DIM, REM)

~
MODIFICATIONS
(Example: Custom Paint)
Use "Notes" Box At Top To Explain Modifications



PD-111__
Fixture Number Job Type

Job Name

Notes~Modifications

	Fixture Number	Dimensions	Lamping	Weight	Stem/Chain	Options
LED	<input type="checkbox"/> PD-11109	9w x 27h	2-13wL(2820 lm)	13 lbs	3' Std	IEM, REM, SPR**
	<input type="checkbox"/> PD-11110	11w x 32h	4-13wL(5640 lm)/1-38wC(5734 lm)	21 lbs	6' Std	L313
	<input type="checkbox"/> PD-11111	13w x 38h	6-13wL(8460 lm)/1-38wC(5734 lm)	25 lbs	9' Std	L313
	<input type="checkbox"/> PD-11112	15w x 44h	12-13wL(16920 lm)/1-52wC(9375 lm)	28 lbs	9' Std	L323
	<input type="checkbox"/> PD-11113	17w x 50h	12-13wL(16920 lm)/1-83wC(12597 lm)	34 lbs	12' Std	L323
INCANDESCENT	<input type="checkbox"/> PD-11120	9w x 27h	1-150wA(1200 lm)	11 lbs	3' Std	L38
	<input type="checkbox"/> PD-11100	11w x 32h	3-75wA(3600 lm)/1-250wP38(3600 lm)	17 lbs	6' Std	L52, L310
	<input type="checkbox"/> PD-11121	13w x 38h	6-75wA(7200 lm)/1-250wP38(3600 lm)	21 lbs	9' Std	L52, L610
	<input type="checkbox"/> PD-11101	15w x 44h	6-75wA(7200 lm)/1-500wR40(5000 lm)	25 lbs	9' Std	L83, L610
	<input type="checkbox"/> PD-11102	17w x 50h	9-75wA(10800 lm)/1-500wR40(5000 lm)	30 lbs	12' Std	L83, L910
FLUORESCENT	<input type="checkbox"/>					

~Two Circuits Standard Wiring~

**All LED Fixtures

DIFFUSER	<input type="checkbox"/> BGA: Beige Alabaster Acrylic	<input type="checkbox"/> GRA: Green Edge Acrylic	<input type="checkbox"/> ECH: Etched*
	<input type="checkbox"/> NHA: Natural Horn Acrylic	<input type="checkbox"/> EGA: Earth Green Acrylic	*Etched option creates a matte, non-glossy finish on one side of the diffuser. (Example: WOA-ECH)
	<input type="checkbox"/> WHA: White Alabaster Acrylic	<input type="checkbox"/> DGA: Deep Gold Acrylic	
	<input type="checkbox"/> HNA: Honey Alabaster Acrylic	<input type="checkbox"/> SBA: Sea Blue Acrylic	
	<input type="checkbox"/> WOA: White Opal Acrylic	<input type="checkbox"/> PHA: Purple Haze Acrylic	

	SOLID BRASS FINISHES	PAINTED METAL FINISHES	ALUMINUM FINISHES	STAINLESS STEEL FINISHES
METAL FINISH	<input type="checkbox"/> ABB: Antique Brass	<input type="checkbox"/> DGP: Dark Green	<input type="checkbox"/> SAA: Satin Aluminum	<input type="checkbox"/> SSS: Satin
	<input type="checkbox"/> SBB: Satin Brass	<input type="checkbox"/> VGP: Verde Green	<input type="checkbox"/> SNA: Satin Nickel	<input type="checkbox"/> DSS: Distressed
	<input type="checkbox"/> PBB: Polished Brass	<input type="checkbox"/> CGP: Charcoal Gray	<input type="checkbox"/> PAA: Polished Aluminum	<input type="checkbox"/> PSS: Polished
	<input type="checkbox"/> ANB: Antique Nickel	<input type="checkbox"/> MBP: Medium Bronze	<input type="checkbox"/> BBA: Burnished Bronze	<input type="checkbox"/> HSS: Hammered
	<input type="checkbox"/> SNB: Satin Nickel	<input type="checkbox"/> SBP: Satin Black	<input type="checkbox"/> RNA: Red Naval Bronze	<input type="checkbox"/>
	<input type="checkbox"/> PNB: Polished Nickel	<input type="checkbox"/> DBP: Dark Bronze	<input type="checkbox"/> SGA: Satin Gold	<input type="checkbox"/>
	<input type="checkbox"/> AZB: Antique Bronze	<input type="checkbox"/> LBP: Light Bronze	<input type="checkbox"/> SBA: Satin Bronze	<input type="checkbox"/>
	<input type="checkbox"/> SZB: Satin Bronze	<input type="checkbox"/> MGP: Medium Gold	<input type="checkbox"/> ORA: Oil Rubbed Bronze	<input type="checkbox"/>
	<input type="checkbox"/> PZB: Polished Bronze	<input type="checkbox"/> SCP: Sponged Copper	<input type="checkbox"/> SCA: Satin Copper	<input type="checkbox"/>
	<input type="checkbox"/> CSB: Custom Brass*	<input type="checkbox"/> CSP: Custom Paint*	<input type="checkbox"/> CSA: Custom Aluminum*	<input type="checkbox"/>
	<input type="checkbox"/>			<input type="checkbox"/>
	<input type="checkbox"/>			<input type="checkbox"/>
	<input type="checkbox"/>			<input type="checkbox"/>
	<input type="checkbox"/>			<input type="checkbox"/>
	<input type="checkbox"/>			<input type="checkbox"/>

OPTIONS	<input type="checkbox"/> L38: 38wLED R40 Downlight	<input type="checkbox"/> L313: 3-13wCLEU Uplight	<input type="checkbox"/> SPR: Surge protector
	<input type="checkbox"/> L52: 52wLED R40 Downlight	<input type="checkbox"/> L323: 3-23wCLEU Uplight	<input type="checkbox"/> IEM: Integral Emer. Ballast
	<input type="checkbox"/> L83: 83wLED R40 Downlight	<input type="checkbox"/> L310: 3-10wLED A-lamp	<input type="checkbox"/>
	<input type="checkbox"/> DIM: Dimming Driver (std)	<input type="checkbox"/> L610: 6-10wLED A-lamp	<input type="checkbox"/>
	<input type="checkbox"/> REM: Remote Emer. Driver	<input type="checkbox"/> L910: 9-10wLED A-lamp	<input type="checkbox"/>
	<input type="checkbox"/>		
	<input type="checkbox"/>		
	<input type="checkbox"/>		
	<input type="checkbox"/>		