



Milan

PD-11000~PD-11031

Our Milan fixtures are straight lined acrylic or fabric drums. We offer them in several fabric types as well as white opal acrylic. Their clean body lines fit well into most contemporary spaces needing essential brightness. Milan drums, sconces, and chandeliers offer a diffused light that is completely reminiscent of the table lamps in most homes today. Bottom diffuser lenses on the pendants are permanently attached and lamp access is from above by removing an upper clear acrylic cover. Bugs and dirt can collect on top, but should not make it through to cloud up the bottom.

~Milan Series~

Chandelier: CH-11000~CH-11011

Pendant: PD-11000~PD-11031

Ceiling Mt: CL-11000~CL-11008

Wall Mt: SC-11000~SC-11011

Bollard: BL-11000~BL-11011

Mounting: Lightsmith fixtures mount to standard 4" octagon electrical boxes unless otherwise specified. All hardware and canopies supplied.

Listing and Warranty: Lightsmith fixtures are Underwriters Laboratories listed and carry a standard three year warranty against defects in materials and labor beginning at date of shipment.



Fixture Specifications

PD-110
FIXTURE NUMBER
(Example: PD-11000)

~ **DIFFUSER**
(Example: BFS)

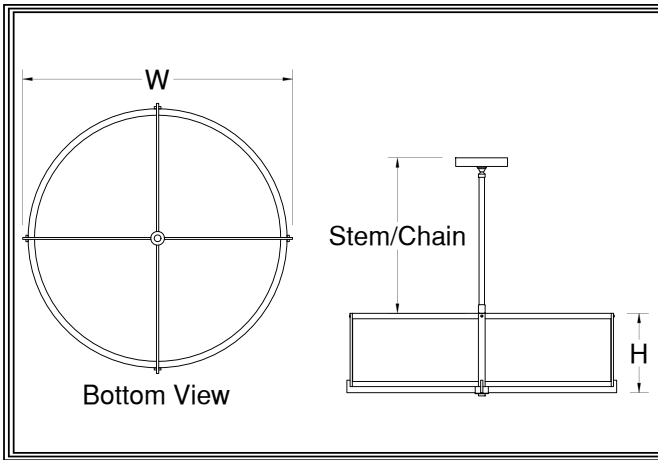
~ **METAL FINISH**
(Example: ABB)

~ **VOLTAGE**
 (120V)
 (277V)
 (347V)

~ **STEM=**S+Lgth
(Example: S-96")
CHAIN=C+Lgth
(Example: C-96")
NR=Not required

~ **OPTIONS**
(Example: DIM, REM)

~ **MODIFICATIONS**
(Example: Custom Paint*)
Use "Notes" Box At Top To Explain Modifications



PD-110 _____
Fixture Number Job Type

Job Name

Notes~Modifications

	Fixture Number	Dimensions	Lamping	Weight	Stem/Chain	Options
LED	<input type="checkbox"/> PD-11009	20w x 6h	6-11wCLED (5772 lumens)	10 lbs	3' Std	DALI,IEM,TPL,FUS**
	<input type="checkbox"/> PD-11010	24w x 8h	9-11wCLED (8658 lumens)	14 lbs	6' Std	L423,L623
	<input type="checkbox"/> PD-11011	30w x 10h	9-13wCLED (10242 lumens)	24 lbs	9' Std	L423,L623,L311
	<input type="checkbox"/> PD-11012	36w x 12h	6-17wCLED (11382 lumens)	29 lbs	9' Std	L623,L823,L611
	<input type="checkbox"/> PD-11013	46w x 14h	9-17wCLED (17073 lumens)	39 lbs	12' Std	L623,L823,L611
INCANDESCENT	<input type="checkbox"/> PD-11020	20w x 6h	3-100wA (5070 lumens)	8 lbs	3' Std	N250
	<input type="checkbox"/> PD-11000	24w x 8h	5-100wA (8450 lumens)	12 lbs	6' Std	N300
	<input type="checkbox"/> PD-11021	30w x 10h	6-100wA (10140 lumens)	21 lbs	9' Std	N300
	<input type="checkbox"/> PD-11001	36w x 12h	7-100wA (11830 lumens)	26 lbs	9' Std	N500
	<input type="checkbox"/> PD-11002	46w x 14h	10-100wA (16900 lumens)	36 lbs	12' Std	N500
FLUORESCENT	<input type="checkbox"/> PD-11030	20w x 6h	2-32wCFT (4800 lumens)	9 lbs	3' Std	DIM,IEM,TPL,FUS*
	<input type="checkbox"/> PD-11003	24w x 8h	4-32wCFT (9600 lumens)	14 lbs	6' Std	F242
	<input type="checkbox"/> PD-11031	30w x 10h	6-26wCFT (10800 lumens)	23 lbs	9' Std	F242
	<input type="checkbox"/> PD-11004	36w x 12h	4-42wCFT (12800 lumens)	28 lbs	9' Std	F442
	<input type="checkbox"/> PD-11005	46w x 14h	6-42wCFT (19200 lumens)	38 lbs	12' Std	F442

~Single Circuit Standard Wiring~

*All Fluorescent Fixtures
**All LED Fixtures

DIFFUSER

BFS: Beige Linen Shade
 WFS: White Linen Shade
 GFS: Gray Linen Shade

WOA: White Opal Acrylic*

*Standard Bottom & Top Lens

	SOLID BRASS FINISHES	PAINTED METAL FINISHES	ALUMINUM FINISHES	STAINLESS STEEL FINISHES
METAL FINISH	<input type="checkbox"/> ABB: Antique Brass	<input type="checkbox"/> DGP: Dark Green	<input type="checkbox"/> SAA: Satin Aluminum	<input type="checkbox"/> NA
	<input type="checkbox"/> SBB: Satin Brass	<input type="checkbox"/> VGP: Verde Green	<input type="checkbox"/> SNA: Satin Nickel	<input type="checkbox"/>
	<input type="checkbox"/> PBB: Polished Brass	<input type="checkbox"/> CGP: Charcoal Gray	<input type="checkbox"/> PAA: Polished Aluminum	<input type="checkbox"/>
	<input type="checkbox"/> ANB: Antique Nickel	<input type="checkbox"/> MBP: Medium Bronze	<input type="checkbox"/> BBA: Burnished Bronze	<input type="checkbox"/>
	<input type="checkbox"/> SNB: Satin Nickel	<input type="checkbox"/> SBP: Satin Black	<input type="checkbox"/> RNA: Red Naval Bronze	<input type="checkbox"/>
	<input type="checkbox"/> PNB: Polished Nickel	<input type="checkbox"/> DBP: Dark Bronze	<input type="checkbox"/> SGA: Satin Gold	<input type="checkbox"/>
	<input type="checkbox"/> AZB: Antique Bronze	<input type="checkbox"/> LBP: Light Bronze	<input type="checkbox"/> SBA: Satin Bronze	<input type="checkbox"/>
	<input type="checkbox"/> SZB: Satin Bronze	<input type="checkbox"/> MGP: Medium Gold	<input type="checkbox"/> ORA: Oil Rubbed Bronze	<input type="checkbox"/>
	<input type="checkbox"/> PZB: Polished Bronze	<input type="checkbox"/> SCP: Sponged Copper	<input type="checkbox"/> SCA: Satin Copper	<input type="checkbox"/>
	<input type="checkbox"/> CSB: Custom Brass*	<input type="checkbox"/> CSP: Custom Paint*	<input type="checkbox"/> CSA: Custom Aluminum*	<input type="checkbox"/>

OPTIONS

N250: 250wPar38 Downlight
 N300: 300wPar56 Downlight
 N500: 500wPar56 Downlight
 DIM: Dimming Ballast
 TPL: Top Lens (std)

L311: 3-11wCLED Uplight
 L611: 6-11wCLED Uplight
 L423: 4-23wCLED Downlight
 L623: 6-23wCLED Downlight
 L823: 8-23wCLED Downlight

FUS: Fusing
 IEM: Integral Emer.Ballast
 DALI: Dali dimming LED
 F242: 2-42wCFT Downlight
 F442: 4-42wCFT Downlight