



# Bombay

## PD-10700~PD-10731

Our Bombay fixtures are low profile drums composed of several overlapping layers of metal or acrylic. Far from being seamless as most of our designs are, the Bombay is purposefully open at the segment joints to allow just a hint of light to pass through and add to the overall "puzzle" quality of the fixtures. You still can't look inside to see the lamps, but the construction makes you want to. We build Bombay in a variety of materials. We show metal sheet that has been overlapped with wood veneer in the pendant above. It is also available in a variety of acrylics as well.

### ~Bombay Series~

Chandelier: CH-10700~CH-10711

Pendant: PD-10700~PD-10731

Ceiling Mt: CL-10700~CL-10708

Wall Mt: SC-10700~SC-10711

Bollard: BL-10700~BL-10711

**Mounting:** Lightsmith fixtures mount to standard 4" octagon electrical boxes unless otherwise specified. All hardware and canopies supplied.

**Listing and Warranty:** Lightsmith fixtures are Underwriters Laboratories listed and carry a standard three year warranty against defects in materials and labor beginning at date of shipment.



## Fixture Specifications

PD-107  
FIXTURE NUMBER  
(Example: PD-10700)

~  
DIFFUSER  
(Example: WOA)

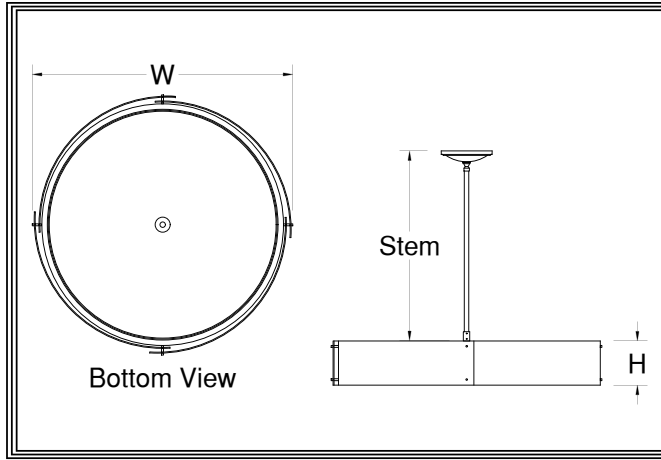
~  
METAL FINISH  
(Example: ABB)

~  
VOLTAGE  
 (120V)  
 (277V)  
 (347V)

~  
STEM=S+Lgth  
(Example: S-96")  
CHAIN=C+Lgth  
(Example: C-96")  
NR=Not required

~  
OPTIONS  
(Example: DIM, REM)

~  
MODIFICATIONS  
(Example: Custom Paint\*)  
Use "Notes" Box At Top To Explain Modifications



PD-107\_\_  
Fixture Number      Job Type

Job Name

Notes~Modifications

	Fixture Number	Dimensions	Lamping	Weight	Cable	Options
LED	<input type="checkbox"/> PD-10709	20w x 4h	4-13wCLED	12 lbs	3' Std	DALI,IEM,TPL,FUS**
	<input type="checkbox"/> PD-10710	24w x 5h	6-13wCLED	17 lbs	6' Std	L423,L623
	<input type="checkbox"/> PD-10711	30w x 6h	4-23wCLED	24 lbs	9' Std	L423,L623,L311
	<input type="checkbox"/> PD-10712	36w x 6h	4-38wCLED	29 lbs	9' Std	L623,L823,L611
	<input type="checkbox"/> PD-10713	46w x 8h	6-52wCLED	39 lbs	12' Std	L623,L823,L611
INCANDESCENT	<input type="checkbox"/> PD-10720	20w x 4h	3-100wA	9 lbs	3' Std	N250
	<input type="checkbox"/> PD-10700	24w x 5h	3-150wA	14 lbs	6' Std	N300
	<input type="checkbox"/> PD-10721	30w x 6h	6-100wA	21 lbs	9' Std	N300
	<input type="checkbox"/> PD-10701	36w x 6h	6-150wA	26 lbs	9' Std	N500
	<input type="checkbox"/> PD-10702	46w x 8h	12-150wA	36 lbs	12' Std	N500
FLUORESCENT	<input type="checkbox"/> PD-10730	20w x 4h	2-42wCFT	11 lbs	3' Std	DIM,IEM,TPL,FUS*
	<input type="checkbox"/> PD-10703	24w x 5h	4-42wCFT	16 lbs	6' Std	F242
	<input type="checkbox"/> PD-10731	30w x 6h	6-42wCFT	23 lbs	9' Std	F242
	<input type="checkbox"/> PD-10704	36w x 6h	8-42wCFT	28 lbs	9' Std	F442
	<input type="checkbox"/> PD-10705	46w x 8h	10-42wCFT	38 lbs	12' Std	F442

~Single Circuit Standard Wiring~

\*All Fluorescent Fixtures  
\*\*All LED Fixtures

DIFFUSER	<input type="checkbox"/> BGA: Beige Alabaster Acrylic	<input type="checkbox"/> GRA: Green Edge Acrylic	<input type="checkbox"/> ECH: Etched*
	<input type="checkbox"/> NHA: Natural Horn Acrylic	<input type="checkbox"/> EGA: Earth Green Acrylic	*Etched option creates a matte, non-glossy finish on one side of the diffuser. (Example: WOA-ECH)
	<input type="checkbox"/> WHA: White Alabaster Acrylic	<input type="checkbox"/> DGA: Deep Gold Acrylic	
	<input type="checkbox"/> HNA: Honey Alabaster Acrylic	<input type="checkbox"/> SBA: Sea Blue Acrylic	
	<input type="checkbox"/> WOA: White Opal Acrylic	<input type="checkbox"/> PHA: Purple Haze Acrylic	

	SOLID BRASS FINISHES	PAINTED METAL FINISHES	ALUMINUM FINISHES	STAINLESS STEEL FINISHES
METAL FINISH	<input type="checkbox"/> ABB: Antique Brass	<input type="checkbox"/> DGP: Dark Green	<input type="checkbox"/> SAA: Satin Aluminum	<input type="checkbox"/> SSS: Satin
	<input type="checkbox"/> SBB: Satin Brass	<input type="checkbox"/> VGP: Verde Green	<input type="checkbox"/> SNA: Satin Nickel	<input type="checkbox"/> DSS: Distressed
	<input type="checkbox"/> PBB: Polished Brass	<input type="checkbox"/> CGP: Charcoal Gray	<input type="checkbox"/> PAA: Polished Aluminum	<input type="checkbox"/> PSS: Polished
	<input type="checkbox"/> ANB: Antique Nickel	<input type="checkbox"/> MBP: Medium Bronze	<input type="checkbox"/> BBA: Burnished Bronze	<input type="checkbox"/> HSS: Hammered
	<input type="checkbox"/> SNB: Satin Nickel	<input type="checkbox"/> SBP: Satin Black	<input type="checkbox"/> RNA: Red Naval Bronze	
	<input type="checkbox"/> PNB: Polished Nickel	<input type="checkbox"/> DBP: Dark Bronze	<input type="checkbox"/> SGA: Satin Gold	
	<input type="checkbox"/> AZB: Antique Bronze	<input type="checkbox"/> LBP: Light Bronze	<input type="checkbox"/> SBA: Satin Bronze	
	<input type="checkbox"/> SZB: Satin Bronze	<input type="checkbox"/> MGP: Medium Gold	<input type="checkbox"/> ORA: Oil Rubbed Bronze	
	<input type="checkbox"/> PZB: Polished Bronze	<input type="checkbox"/> SCP: Sponged Copper	<input type="checkbox"/> SCA: Satin Copper	
	<input type="checkbox"/> CSB: Custom Brass*	<input type="checkbox"/> CSP: Custom Paint*	<input type="checkbox"/> CSA: Custom Aluminum*	<input type="checkbox"/> CSS: Custom SS*

OPTIONS	<input type="checkbox"/> N250: 250wPar38 Downlight	<input type="checkbox"/> L311: 3-11wCLED Uplight	<input type="checkbox"/> FUS: Fusing
	<input type="checkbox"/> N300: 300wPar56 Downlight	<input type="checkbox"/> L611: 6-11wCLED Uplight	<input type="checkbox"/> IEM: Integral Emer.Ballast
	<input type="checkbox"/> N500: 500wPar56 Downlight	<input type="checkbox"/> L423: 4-23wCLED Downlight	<input type="checkbox"/> DALI: Dali dimming LED
	<input type="checkbox"/> DIM: Dimming Ballast	<input type="checkbox"/> L623: 6-23wCLED Downlight	<input type="checkbox"/> F242: 2-42wCFT Downlight
	<input type="checkbox"/> TPL: Top Lens	<input type="checkbox"/> L823: 8-23wCLED Downlight	<input type="checkbox"/> F442: 4-42wCFT Downlight