



Jaipur

PD-10600~PD-10631

Our Jaipur fixtures are massive amounts of diffuser material and just a bare minimum of metal staves to hold it all together. These are extremely bright and glare-free luminaires built to do the job of lighting large spaces. Jaipur pendants and sconces are primarily acrylic drums that are cradled by an aluminum or brass superstructure. Simplistic design makes them adaptable to many architectural elements and helps them become a true asset to properly lighting public spaces with radiance. Our metal finishes and acrylic choices can make these fixtures blend into almost any setting.

~Jaipur Series~

Chandelier: CH-10600~CH-10611

Pendant: PD-10600~PD-10631

Ceiling Mt: CL-10600~CL-10608

Wall Mt: SC-10600~SC-10611

Bollard: BL-10600~BL-10611

Mounting: Lightsmith fixtures mount to standard 4" octagon electrical boxes unless otherwise specified. All hardware and canopies supplied.

Listing and Warranty: Lightsmith fixtures are Underwriters Laboratories listed and carry a standard three year warranty against defects in materials and labor beginning at date of shipment.



Fixture Specifications

PD-106
FIXTURE NUMBER
(Example: PD-10600)

~ **DIFFUSER**
(Example: BFS)

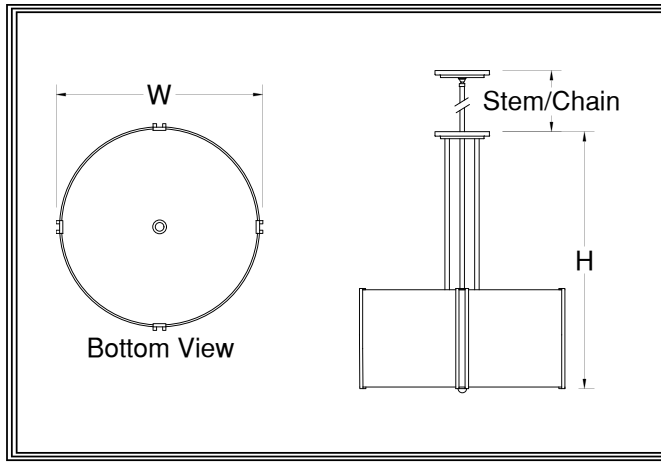
~ **METAL FINISH**
(Example: ABB)

~ **VOLTAGE**
 (120V)
 (277V)
 (347V)

~ **STEM=**S+Lgth
(Example: S-96")
CHAIN=C+Lgth
(Example: C-96")
NR=Not required

~ **OPTIONS**
(Example: DIM,REM)

~ **MODIFICATIONS**
(Example: Custom Paint*)
Use "Notes" Box At Top To Explain Modifications



PD-106

Fixture Number Job Type

Job Name

Notes~Modifications

	Fixture Number	Dimensions	Lamping	Weight	Stem/Chain	Options
LED	<input type="checkbox"/> PD-10609	18w x 20h	4-13wCLED	12 lbs	3' Std	DALI,IEM,TPL,FUS**
	<input type="checkbox"/> PD-10610	24w x 26h	6-13wCLED	17 lbs	6' Std	L423,L623
	<input type="checkbox"/> PD-10611	30w x 33h	4-23wCLED	24 lbs	9' Std	L423,L623,L311
	<input type="checkbox"/> PD-10612	38w x 42h	4-38wCLED	29 lbs	9' Std	L623,L823,L611
	<input type="checkbox"/> PD-10613	46w x 50h	6-52wCLED	39 lbs	12' Std	L623,L823,L611
INCANDESCENT	<input type="checkbox"/> PD-10620	18w x 20h	3-100wA	9 lbs	3' Std	N250
	<input type="checkbox"/> PD-10600	24w x 26h	3-150wA	14 lbs	6' Std	N300
	<input type="checkbox"/> PD-10621	30w x 33h	6-100wA	21 lbs	9' Std	N300
	<input type="checkbox"/> PD-10601	38w x 42h	6-150wA	26 lbs	9' Std	N500
	<input type="checkbox"/> PD-10602	46w x 50h	12-150wA	36 lbs	12' Std	N500
FLUORESCENT	<input type="checkbox"/> PD-10630	18w x 20h	2-42wCFT	11 lbs	3' Std	DIM,IEM,TPL,FUS*
	<input type="checkbox"/> PD-10603	24w x 26h	4-42wCFT	16 lbs	6' Std	F242
	<input type="checkbox"/> PD-10631	30w x 33h	6-42wCFT	23 lbs	9' Std	F242
	<input type="checkbox"/> PD-10604	38w x 42h	8-42wCFT	28 lbs	9' Std	F442
	<input type="checkbox"/> PD-10605	46w x 50h	10-42wCFT	38 lbs	12' Std	F442

~Single Circuit Standard Wiring~

*All Fluorescent Fixtures
**All LED Fixtures

DIFFUSER	DIFFUSER	DIFFUSER
<input type="checkbox"/> BGA: Beige Alabaster Acrylic	<input type="checkbox"/> GRA: Green Edge Acrylic	<input type="checkbox"/> ECH: Etched*
<input type="checkbox"/> NHA: Natural Horn Acrylic	<input type="checkbox"/> EGA: Earth Green Acrylic	*Etched option creates a matte, non-glossy finish on one side of the diffuser. (Example:WOA-ECH)
<input type="checkbox"/> WHA: White Alabaster Acrylic	<input type="checkbox"/> DGA: Deep Gold Acrylic	
<input type="checkbox"/> HNA: Honey Alabaster Acrylic	<input type="checkbox"/> SBA: Sea Blue Acrylic	
<input type="checkbox"/> WOA: White Opal Acrylic	<input type="checkbox"/> PHA: Purple Haze Acrylic	

METAL FINISH	SOLID BRASS FINISHES	PAINTED METAL FINISHES	ALUMINUM FINISHES	STAINLESS STEEL FINISHES
<input type="checkbox"/> ABB: Antique Brass	<input type="checkbox"/> DGP: Dark Green	<input type="checkbox"/> SAA: Satin Aluminum	<input type="checkbox"/> NA	
<input type="checkbox"/> SBB: Satin Brass	<input type="checkbox"/> VGP: Verde Green	<input type="checkbox"/> SNA: Satin Nickel	<input type="checkbox"/>	
<input type="checkbox"/> PBB: Polished Brass	<input type="checkbox"/> CGP: Charcoal Gray	<input type="checkbox"/> PAA: Polished Aluminum	<input type="checkbox"/>	
<input type="checkbox"/> ANB: Antique Nickel	<input type="checkbox"/> MBP: Medium Bronze	<input type="checkbox"/> BBA: Burnished Bronze	<input type="checkbox"/>	
<input type="checkbox"/> SNB: Satin Nickel	<input type="checkbox"/> SBP: Satin Black	<input type="checkbox"/> RNA: Red Naval Bronze	<input type="checkbox"/>	
<input type="checkbox"/> PNB: Polished Nickel	<input type="checkbox"/> DBP: Dark Bronze	<input type="checkbox"/> SGA: Satin Gold	<input type="checkbox"/>	
<input type="checkbox"/> AZB: Antique Bronze	<input type="checkbox"/> LBP: Light Bronze	<input type="checkbox"/> SBA: Satin Bronze	<input type="checkbox"/>	
<input type="checkbox"/> SZB: Satin Bronze	<input type="checkbox"/> MGP: Medium Gold	<input type="checkbox"/> ORA: Oil Rubbed Bronze	<input type="checkbox"/>	
<input type="checkbox"/> PZB: Polished Bronze	<input type="checkbox"/> SCP: Sponged Copper	<input type="checkbox"/> SCA: Satin Copper	<input type="checkbox"/>	
<input type="checkbox"/> CSB: Custom Brass*	<input type="checkbox"/> CSP: Custom Paint*	<input type="checkbox"/> CSA: Custom Aluminum*	<input type="checkbox"/>	

OPTIONS	OPTIONS	OPTIONS
<input type="checkbox"/> N250: 250wPar38 Downlight	<input type="checkbox"/> L311: 3-11wCLED Uplight	<input type="checkbox"/> FUS: Fusing
<input type="checkbox"/> N300: 300wPar56 Downlight	<input type="checkbox"/> L611: 6-11wCLED Uplight	<input type="checkbox"/> IEM: Integral Emer.Ballast
<input type="checkbox"/> N500: 500wPar56 Downlight	<input type="checkbox"/> L423: 4-23wCLED Downlight	<input type="checkbox"/> DALI: Dali dimming LED
<input type="checkbox"/> DIM: Dimming Ballast	<input type="checkbox"/> L623: 6-23wCLED Downlight	<input type="checkbox"/> F242: 2-42wCFT Downlight
<input type="checkbox"/> TPL: Top Lens	<input type="checkbox"/> L823: 8-23wCLED Downlight	<input type="checkbox"/> F442: 4-42wCFT Downlight