



Aswan

PD-10500~PD-10531

Our Aswan fixtures are graceful lights featuring custom deep drawn spun metal rings in a wide variety of sizes, and acrylic bowls that may be ordered with deep or shallow profiles. Aswan is a complement to finer spaces everywhere. The pendants and chandeliers of this style also leave plenty of leeway for cleaner contemporary looks by using the "4AC" option that uses stainless steel aircraft cable suspension in conjunction with a floating power cord. These lights are available in sizes up to 48" diameter and with many, many acrylic and metal finish options. Try our LEDs, too. Just right.

~Aswan Series~

Chandelier: CH-10500~CH-10511

Pendant: PD-10500~PD-10531

Ceiling Mt: CL-10500~CL-10508

Wall Mt: SC-10500~SC-10511

Bollard: BL-10500~BL-10511

Mounting: Lightsmith fixtures mount to standard 4" octagon electrical boxes unless otherwise specified. All hardware and canopies supplied.

Listing and Warranty: Lightsmith fixtures are Underwriters Laboratories listed and carry a standard three year warranty against defects in materials and labor beginning at date of shipment.



Fixture Specifications

PD-105
FIXTURE NUMBER
(Example: PD-10500)

~ **DIFFUSER**
(Example: BGA-ECH)

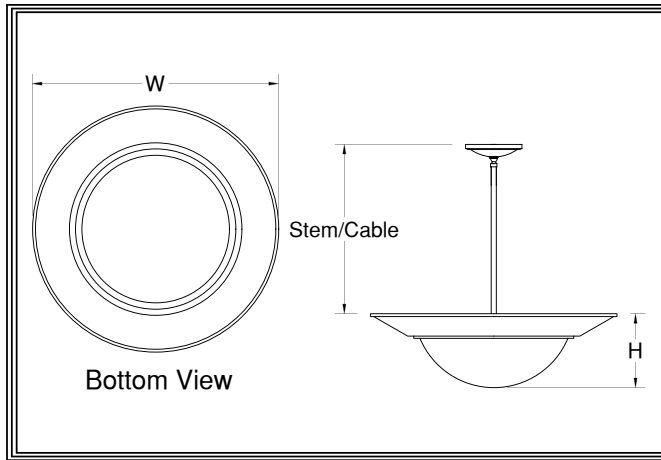
~ **METAL FINISH**
(Example: ABB)

~ **VOLTAGE**
 (120V)
 (277V)
 (347V)

~ **STEM=S+Lgth**
(Example: S-96")
CHAIN=C+Lgth
(Example: C-96")
NR=Not required

~ **OPTIONS**
(Example: DIM, REM)

~ **MODIFICATIONS**
(Example: Custom Paint)
Use "Notes" Box At Top To Explain Modifications



PD-105

Fixture Number Job Type

Job Name

Notes~Modifications

	Fixture Number	Dimensions	Lamping	Weight	Stem/Cable	Options
LED	<input type="checkbox"/> PD-10509	21w x 10h	4-13wCLED	21 lbs	3' Std	DALI,IEM,TPL,FUS**
	<input type="checkbox"/> PD-10510	27w x 12h	6-13wCLED	25 lbs	6' Std	L423,SBL,4AC,4SS
	<input type="checkbox"/> PD-10511	34w x 14h	4-23wCLED	31 lbs	9' Std	L623,SBL,4AC,4SS
	<input type="checkbox"/> PD-10512	40w x 16h	4-38wCLED	36 lbs	9' Std	L623,SBL,4AC,4SS
	<input type="checkbox"/> PD-10513	48w x 18h	6-52wCLED	47 lbs	12' Std	L823,SBL,4AC,4SS
INCANDESCENT	<input type="checkbox"/> PD-10520	21w x 10h	3-100wA	18 lbs	3' Std	N250,SBL,4AC,4SS
	<input type="checkbox"/> PD-10500	27w x 12h	3-150wA	22 lbs	6' Std	N300,SBL,4AC,4SS
	<input type="checkbox"/> PD-10521	34w x 14h	6-100wA	28 lbs	9' Std	N300,SBL,4AC,4SS
	<input type="checkbox"/> PD-10501	40w x 16h	6-150wA	33 lbs	9' Std	N500,SBL,4AC,4SS
	<input type="checkbox"/> PD-10502	48w x 18h	12-150wA	44 lbs	12' Std	N500,SBL,4AC,4SS
FLUORESCENT	<input type="checkbox"/> PD-10530	21w x 10h	2-42wCFT	20 lbs	3' Std	DIM,IEM,TPL,FUS*
	<input type="checkbox"/> PD-10503	27w x 12h	4-42wCFT	24 lbs	6' Std	SBL,4AC,4SS
	<input type="checkbox"/> PD-10531	34w x 14h	6-42wCFT	30 lbs	9' Std	SBL,4AC,4SS
	<input type="checkbox"/> PD-10504	40w x 16h	6-FT40w	35 lbs	9' Std	SBL,4AC,4SS
	<input type="checkbox"/> PD-10505	48w x 18h	8-FT50w	46 lbs	12' Std	SBL,4AC,4SS

~Two Circuits Standard Wiring~

*All Fluorescent Fixtures
**All LED Fixtures

DIFFUSER	<input type="checkbox"/> BGA: Beige Alabaster Acrylic	<input type="checkbox"/> GRA: Green Edge Acrylic	<input type="checkbox"/> ECH: Etched*
	<input type="checkbox"/> NHA: Natural Horn Acrylic	<input type="checkbox"/> EGA: Earth Green Acrylic	*Etched option creates a matte, non-glossy finish on one side of the diffuser. (Example: WOA-ECH)
	<input type="checkbox"/> WHA: White Alabaster Acrylic	<input type="checkbox"/> DGA: Deep Gold Acrylic	
	<input type="checkbox"/> HNA: Honey Alabaster Acrylic	<input type="checkbox"/> SBA: Sea Blue Acrylic	
	<input type="checkbox"/> WOA: White Opal Acrylic	<input type="checkbox"/> PHA: Purple Haze Acrylic	

	SOLID BRASS FINISHES	PAINTED METAL FINISHES	ALUMINUM FINISHES	STAINLESS STEEL FINISHES
METAL FINISH	<input type="checkbox"/> ABB: Antique Brass	<input type="checkbox"/> DGP: Dark Green	<input type="checkbox"/> SAA: Satin Aluminum	<input type="checkbox"/> SSS: Satin
	<input type="checkbox"/> SBB: Satin Brass	<input type="checkbox"/> VGP: Verde Green	<input type="checkbox"/> SNA: Satin Nickel	<input type="checkbox"/> DSS: Distressed
	<input type="checkbox"/> PBB: Polished Brass	<input type="checkbox"/> CGP: Charcoal Gray	<input type="checkbox"/> PAA: Polished Aluminum	<input type="checkbox"/> PSS: Polished
	<input type="checkbox"/> ANB: Antique Nickel	<input type="checkbox"/> MBP: Medium Bronze	<input type="checkbox"/> BBA: Burnished Bronze	<input type="checkbox"/> HSS: Hammered
	<input type="checkbox"/> SNB: Satin Nickel	<input type="checkbox"/> SBP: Satin Black	<input type="checkbox"/> RNA: Red Naval Bronze	<input type="checkbox"/>
	<input type="checkbox"/> PNB: Polished Nickel	<input type="checkbox"/> DBP: Dark Bronze	<input type="checkbox"/> SGA: Satin Gold	<input type="checkbox"/>
	<input type="checkbox"/> AZB: Antique Bronze	<input type="checkbox"/> LBP: Light Bronze	<input type="checkbox"/> SBA: Satin Bronze	<input type="checkbox"/>
	<input type="checkbox"/> SZB: Satin Bronze	<input type="checkbox"/> MGP: Medium Gold	<input type="checkbox"/> ORA: Oil Rubbed Bronze	<input type="checkbox"/>
	<input type="checkbox"/> PZB: Polished Bronze	<input type="checkbox"/> SCP: Sponged Copper	<input type="checkbox"/> SCA: Satin Copper	<input type="checkbox"/>
	<input type="checkbox"/> CSB: Custom Brass*	<input type="checkbox"/> CSP: Custom Paint*	<input type="checkbox"/> CSA: Custom Aluminum*	<input type="checkbox"/>
	<input type="checkbox"/>			<input type="checkbox"/> CSS: Custom SS*
	<input type="checkbox"/>			<input type="checkbox"/>
	<input type="checkbox"/>			<input type="checkbox"/>
	<input type="checkbox"/>			<input type="checkbox"/>

OPTIONS	<input type="checkbox"/> N250: 250wPar38 Downlight	<input type="checkbox"/> DBL: Deep Bowl (standard)	<input type="checkbox"/> FUS: Fusing
	<input type="checkbox"/> N300: 300wPar56 Downlight	<input type="checkbox"/> SBL: Shallow Bowl	<input type="checkbox"/> IEM: Integral Emer.Ballast
	<input type="checkbox"/> N500: 500wPar56 Downlight	<input type="checkbox"/> L423: 4-23wCLED Downlight	<input type="checkbox"/> DALI: Dali dimming LED
	<input type="checkbox"/> DIM: Dimming Ballast	<input type="checkbox"/> L623: 6-23wCLED Downlight	<input type="checkbox"/> 4AC: 4-Angled Cables
	<input type="checkbox"/> TPL: Top Lens	<input type="checkbox"/> L823: 8-23wCLED Downlight	<input type="checkbox"/> 4SS: 4-Straight Stems