



Tryon

PD-10400~PD-10431

Our Tryon series fixtures are solid metal drums with all light emanating through upper and lower acrylic lenses. They feature single wire rope and cable suspension systems as shown, but may be ordered with solid stems, or multi-cable or chain mountings as a modification. Tryon is available in a variety of colors and materials. Satin stainless steel available. Even polished brass. And the lenses may be alabaster acrylics as well as the white opal shown. Lamping options include incandescent, CFL, and LED sources. Downlight and uplight options available.

~Tryon Series~

Chandelier: CH-10400~CH-10411

Pendant: PD-10400~PD-10431

Ceiling Mt: CL-10400~CL-10408

Wall Mt: SC-10400~SC-10411

Bollard: BL-10400~BL-10411

Mounting: Lightsmith fixtures mount to standard 4" octagon electrical boxes unless otherwise specified. All hardware and canopies supplied.

Listing and Warranty: Lightsmith fixtures are Underwriters Laboratories listed and carry a standard three year warranty against defects in materials and labor beginning at date of shipment.



Fixture Specifications

PD-104
FIXTURE NUMBER
(Example: PD-10400)

~ **DIFFUSER**
(Example: WOA)

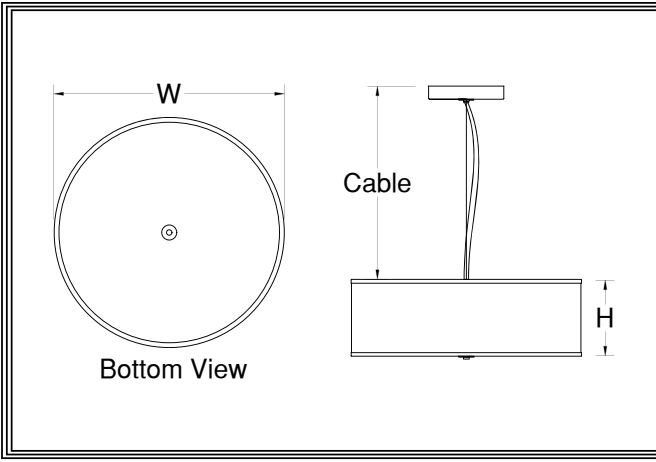
~ **METAL FINISH**
(Example: ABB)

~ **VOLTAGE**
 (120V)
 (277V)
 (347V)

~ **CB-___**
Cable=CB+Lgth
(Example:CB-96")

~ **OPTIONS**
(Example: DIM, REM)

~ **MODIFICATIONS**
(Example: Custom Paint*)
Use "Notes" Box At Top To Explain Modifications



PD-104

Fixture Number Job Type

Job Name

Notes~Modifications

	Fixture Number	Dimensions	Lamping	Weight	Cable	Options
LED	<input type="checkbox"/> PD-10409	20w x 6h	4-13wCLED	12 lbs	3' Std	DALI,IEM,TPL,FUS**
	<input type="checkbox"/> PD-10410	24w x 8h	6-13wCLED	17 lbs	6' Std	L423,L623
	<input type="checkbox"/> PD-10411	30w x 10h	4-23wCLED	24 lbs	9' Std	L423,L623,L311
	<input type="checkbox"/> PD-10412	36w x 12h	4-38wCLED	29 lbs	9' Std	L623,L823,L611
	<input type="checkbox"/> PD-10413	46w x 14h	6-52wCLED	39 lbs	12' Std	L623,L823,L611
INCANDESCENT	<input type="checkbox"/> PD-10420	20w x 6h	3-100wA	9 lbs	3' Std	N250
	<input type="checkbox"/> PD-10400	24w x 8h	3-150wA	14 lbs	6' Std	N300
	<input type="checkbox"/> PD-10421	30w x 10h	6-100wA	21 lbs	9' Std	N300
	<input type="checkbox"/> PD-10401	36w x 12h	6-150wA	26 lbs	9' Std	N500
	<input type="checkbox"/> PD-10402	46w x 14h	12-150wA	36 lbs	12' Std	N500
FLUORESCENT	<input type="checkbox"/> PD-10430	20w x 6h	2-42wCFT	11 lbs	3' Std	DIM,IEM,TPL,FUS*
	<input type="checkbox"/> PD-10403	24w x 8h	4-42wCFT	16 lbs	6' Std	F242
	<input type="checkbox"/> PD-10431	30w x 10h	6-42wCFT	23 lbs	9' Std	F242
	<input type="checkbox"/> PD-10404	36w x 12h	8-42wCFT	28 lbs	9' Std	F442
	<input type="checkbox"/> PD-10405	46w x 14h	10-42wCFT	38 lbs	12' Std	F442

~Single Circuit Standard Wiring~

*All Fluorescent Fixtures
**All LED Fixtures

DIFFUSER	<input type="checkbox"/> BGA: Beige Alabaster Acrylic	<input type="checkbox"/> GRA: Green Edge Acrylic	<input type="checkbox"/> ECH: Etched*
	<input type="checkbox"/> NHA: Natural Horn Acrylic	<input type="checkbox"/> EGA: Earth Green Acrylic	*Etched option creates a matte, non-glossy finish on one side of the diffuser. (Example:WOA-ECH)
	<input type="checkbox"/> WHA: White Alabaster Acrylic	<input type="checkbox"/> DGA: Deep Gold Acrylic	
	<input type="checkbox"/> HNA: Honey Alabaster Acrylic	<input type="checkbox"/> SBA: Sea Blue Acrylic	
	<input type="checkbox"/> WOA: White Opal Acrylic	<input type="checkbox"/> PHA: Purple Haze Acrylic	

	SOLID BRASS FINISHES	PAINTED METAL FINISHES	ALUMINUM FINISHES	STAINLESS STEEL FINISHES
METAL FINISH	<input type="checkbox"/> ABB: Antique Brass	<input type="checkbox"/> DGP: Dark Green	<input type="checkbox"/> SAA: Satin Aluminum	<input type="checkbox"/> SSS: Satin
	<input type="checkbox"/> SBB: Satin Brass	<input type="checkbox"/> VGP: Verde Green	<input type="checkbox"/> SNA: Satin Nickel	<input type="checkbox"/> DSS: Distressed
	<input type="checkbox"/> PBB: Polished Brass	<input type="checkbox"/> CGP: Charcoal Gray	<input type="checkbox"/> PAA: Polished Aluminum	<input type="checkbox"/> PSS: Polished
	<input type="checkbox"/> ANB: Antique Nickel	<input type="checkbox"/> MBP: Medium Bronze	<input type="checkbox"/> BBA: Burnished Bronze	<input type="checkbox"/> HSS: Hammered
	<input type="checkbox"/> SNB: Satin Nickel	<input type="checkbox"/> SBP: Satin Black	<input type="checkbox"/> RNA: Red Naval Bronze	<input type="checkbox"/>
	<input type="checkbox"/> PNB: Polished Nickel	<input type="checkbox"/> DBP: Dark Bronze	<input type="checkbox"/> SGA: Satin Gold	<input type="checkbox"/>
	<input type="checkbox"/> AZB: Antique Bronze	<input type="checkbox"/> LBP: Light Bronze	<input type="checkbox"/> SBA: Satin Bronze	<input type="checkbox"/>
	<input type="checkbox"/> SZB: Satin Bronze	<input type="checkbox"/> MGP: Medium Gold	<input type="checkbox"/> ORA: Oil Rubbed Bronze	<input type="checkbox"/>
	<input type="checkbox"/> PZB: Polished Bronze	<input type="checkbox"/> SCP: Sponged Copper	<input type="checkbox"/> SCA: Satin Copper	<input type="checkbox"/>
	<input type="checkbox"/> CSB: Custom Brass*	<input type="checkbox"/> CSP: Custom Paint*	<input type="checkbox"/> CSA: Custom Aluminum*	<input type="checkbox"/>
	<input type="checkbox"/>			<input type="checkbox"/> CSS: Custom SS*
	<input type="checkbox"/>			<input type="checkbox"/>
	<input type="checkbox"/>			<input type="checkbox"/>
	<input type="checkbox"/>			<input type="checkbox"/>

OPTIONS	<input type="checkbox"/> N250: 250wPar38 Downlight	<input type="checkbox"/> L311: 3-11wCLED Uplight	<input type="checkbox"/> FUS: Fusing
	<input type="checkbox"/> N300: 300wPar56 Downlight	<input type="checkbox"/> L611: 6-11wCLED Uplight	<input type="checkbox"/> IEM: Integral Emer.Ballast
	<input type="checkbox"/> N500: 500wPar56 Downlight	<input type="checkbox"/> L423: 4-23wCLED Downlight	<input type="checkbox"/> DALI: Dali dimming LED
	<input type="checkbox"/> DIM: Dimming Ballast	<input type="checkbox"/> L623: 6-23wCLED Downlight	<input type="checkbox"/> F242: 2-42wCFT Downlight
	<input type="checkbox"/> TPL: Top Lens	<input type="checkbox"/> L823: 8-23wCLED Downlight	<input type="checkbox"/> F442: 4-42wCFT Downlight
	<input type="checkbox"/>		