



Shimada

PD-10300~PD-10331

Our Shimada fixtures are large ring luminaires featuring multiple material, lamping, and mounting options. We show a transparent custom acrylic in the pendant photo above with individual white cylinders used as diffuser panels for the lamps inside. Bottom elements of the rings may be solid acrylic or open trim rings for use as down lights. Shimada rings are available in enormous sizes and are easily customized. We offer downlight options in all LED, CFL, and incandescent versions. They look great just glowing, but add significant footcandles with our downlight options.

~Shimada Series~

Chandelier: CH-10300~CH-10311

Pendant: PD-10300~PD-10331

Ceiling Mt: CL-10300~CL-10308

Wall Mt: SC-10300~SC-10311

Bollard: BL-10300~BL-10311

Mounting: Lightsmith fixtures mount to standard 4" octagon electrical boxes unless otherwise specified. All hardware and canopies supplied.

Listing and Warranty: Lightsmith fixtures are Underwriters Laboratories listed and carry a standard three year warranty against defects in materials and labor beginning at date of shipment.



Fixture Specifications

PD-10313
FIXTURE NUMBER
(Example: PD-10313)

~ **DIFFUSER**
(Example: BGA-ECH)

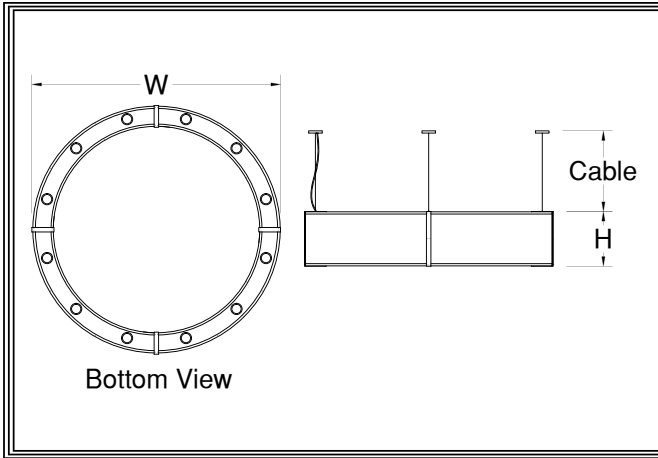
~ **METAL FINISH**
(Example: ABB)

~ **VOLTAGE**
 (120V)
 (277V)
 (347V)

~ **STEM=S+Lgth**
(Example: S-96")
CABLE=C+Lgth
(Example: C-96")
NR=Not required

~ **OPTIONS**
(Example: 123)

~ **MODIFICATIONS**
(Example: Custom Paint)
Use "Notes" Box At Top To Explain Modifications



PD-10313

Fixture Number Job Type

Job Name

Notes~Modifications

	Fixture Number	Dimensions	Lamping	Weight	Cable	Options
LED	<input type="checkbox"/> PD-10309	36w x 14h	8-13wLLED (11280 lumens)	48 lbs	48"	1-23w/cyl dn
	<input type="checkbox"/> PD-10310	48w x 16h	12-13wLLED (16920 lumens)	67 lbs	72"	1-23w/cyl dn
	<input type="checkbox"/> PD-10311	60w x 18h	18-13wLLED (25380 lumens)	88 lbs	72"	1-23w/cyl dn
	<input type="checkbox"/> PD-10312	72w x 20h	20-13wLLED (28200 lumens)	102 lbs	96"	1-23w/cyl dn
	<input type="checkbox"/> PD-10313	110w x 24h	24-13wLLED (33840 lumens)	150 lbs	96"	1-23w/cyl dn
INCANDESCENT	<input type="checkbox"/> PD-10320	36w x 14h	8-60wA (6400 lumens)	39 lbs	48"	1-30wP30/cyl dn
	<input type="checkbox"/> PD-10300	48w x 16h	12-60wA (9600 lumens)	55 lbs	72"	1-30wP30/cyl dn
	<input type="checkbox"/> PD-10321	60w x 18h	18-60wA (14400 lumens)	70 lbs	72"	1-30wP30/cyl dn
	<input type="checkbox"/> PD-10301	72w x 20h	20-60wA (16000 lumens)	83 lbs	96"	1-30wP30/cyl dn
	<input type="checkbox"/> PD-10302	110w x 24h	24-60wA (19200 lumens)	99 lbs	96"	1-30wP30/cyl dn
FLUORESCENT	<input type="checkbox"/> PD-10330	36w x 14h	8-26wCFQ (19200 lumens)	44 lbs	48"	1-16wP30/cyl dn
	<input type="checkbox"/> PD-10303	48w x 16h	12-26wCFQ (28800 lumens)	58 lbs	72"	1-16wP30/cyl dn
	<input type="checkbox"/> PD-10331	60w x 18h	18-26wCFQ (43200 lumens)	80 lbs	72"	1-16wP30/cyl dn
	<input type="checkbox"/> PD-10304	72w x 20h	20-26wCFQ (48000 lumens)	93 lbs	96"	1-16wP30/cyl dn
	<input type="checkbox"/> PD-10305	110w x 24h	24-26wCFQ (57600 lumens)	109 lbs	96"	1-16wP30/cyl dn

~One Circuit Standard Wiring~

DIFFUSER	<input type="checkbox"/> BGA: Beige Alabaster Acrylic	<input type="checkbox"/> GRA: Green Edge Acrylic	<input type="checkbox"/> ECH: Etched*
	<input type="checkbox"/> NHA: Natural Horn Acrylic	<input type="checkbox"/> EGA: Earth Green Acrylic	*Etched option creates a matte, non-glossy finish on one side of the diffuser. (Example: WOA-ECH)
	<input type="checkbox"/> WHA: White Alabaster Acrylic	<input type="checkbox"/> DGA: Deep Gold Acrylic	
	<input type="checkbox"/> HNA: Honey Alabaster Acrylic	<input type="checkbox"/> SBA: Sea Blue Acrylic	
	<input type="checkbox"/> WOA: White Opal Acrylic	<input type="checkbox"/> PHA: Purple Haze Acrylic	

	SOLID BRASS FINISHES	PAINTED METAL FINISHES	ALUMINUM FINISHES	STAINLESS STEEL FINISHES
METAL FINISH	<input type="checkbox"/> ABB: Antique Brass	<input type="checkbox"/> DGP: Dark Green	<input type="checkbox"/> SAA: Satin Aluminum	<input type="checkbox"/> NA
	<input type="checkbox"/> SBB: Satin Brass	<input type="checkbox"/> VGP: Verde Green	<input type="checkbox"/> SNA: Satin Nickel	<input type="checkbox"/>
	<input type="checkbox"/> PBB: Polished Brass	<input type="checkbox"/> CGP: Charcoal Gray	<input type="checkbox"/> PAA: Polished Aluminum	<input type="checkbox"/>
	<input type="checkbox"/> ANB: Antique Nickel	<input type="checkbox"/> MBP: Medium Bronze	<input type="checkbox"/> BBA: Burnished Bronze	<input type="checkbox"/>
	<input type="checkbox"/> SNB: Satin Nickel	<input type="checkbox"/> SBP: Satin Black	<input type="checkbox"/> RNA: Red Naval Bronze	<input type="checkbox"/>
	<input type="checkbox"/> PNB: Polished Nickel	<input type="checkbox"/> DBP: Dark Bronze	<input type="checkbox"/> SGA: Satin Gold	<input type="checkbox"/>
	<input type="checkbox"/> AZB: Antique Bronze	<input type="checkbox"/> LBP: Light Bronze	<input type="checkbox"/> SBA: Satin Bronze	<input type="checkbox"/>
	<input type="checkbox"/> SZB: Satin Bronze	<input type="checkbox"/> MGP: Medium Gold	<input type="checkbox"/> ORA: Oil Rubbed Bronze	<input type="checkbox"/>
	<input type="checkbox"/> PZB: Polished Bronze	<input type="checkbox"/> SCP: Sponged Copper	<input type="checkbox"/> SCA: Satin Copper	<input type="checkbox"/>
	<input type="checkbox"/> CSB: Custom Brass*	<input type="checkbox"/> CSP: Custom Paint*	<input type="checkbox"/> CSA: Custom Aluminum*	<input type="checkbox"/>

OPTIONS	<input type="checkbox"/> 123: 23w LED Downlight	<input type="checkbox"/>	<input type="checkbox"/>
	<input type="checkbox"/> 130: 30w P30 Downlight	<input type="checkbox"/>	<input type="checkbox"/>
	<input type="checkbox"/> 116: 16w CFL Downlight	<input type="checkbox"/>	<input type="checkbox"/>
	<input type="checkbox"/>	<input type="checkbox"/>	<input type="checkbox"/>
	<input type="checkbox"/>	<input type="checkbox"/>	<input type="checkbox"/>