



Genoa

PD-10001~PD-10008

Our Genoa fixtures are real light engines. Their job is to broadcast light through the shadows. The fixtures themselves are attractive; but the light they produce is much more important than their looks. Gigantic foot candle levels can be achieved by proper placement of these lights. Where side illumination might be a glare issue with a lighted acrylic or glass fixture, our Genoa's will produce directional flood lighting without compromise. Many color and reflector options to choose from. And our LED models will be one of the wisest investments you could make...just right!

~Genoa Series~

Chandelier: CH-10000~CH-10011

Pendant: PD-10001~PD-10008

Ceiling Mt: CL-10000~CL-10011

Wall Mt: SC-10000~SC-10011

Bollard: BL-10000~BL-10011

Mounting: Lightsmith fixtures mount to standard 4" octagon electrical boxes unless otherwise specified. All hardware and canopies supplied.

Listing and Warranty: Lightsmith fixtures are Underwriters Laboratories listed and carry a standard three year warranty against defects in materials and labor beginning at date of shipment.



Fixture Specifications

PD-100
FIXTURE NUMBER
(Example: PD-10002)

REFLECTOR
(Example: W)

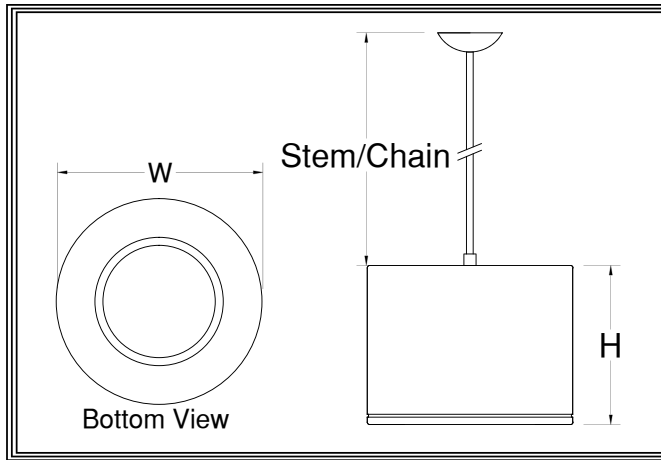
METAL FINISH
(Example: ABB)

VOLTAGE
 (120V)
 (277V)
 (347V)

STEM=S+Lgth
(Example:S-96")
CHAIN=C+Lgth
(Example:C-96")
NR=Not required

OPTIONS
(Example:DIM,REM)

MODIFICATIONS
(Example:Custom Paint*)
Use "Notes" Box At Top To Explain Modifications



PD-100 _____

Fixture Number Job Type

Job Name

Notes~Modifications

	Fixture Number	Dimensions	Lamping	Weight	Stem/Chain	Options
LED	<input type="checkbox"/> PD-10001	9w x 7h	1-23wCLED (2790 lumens)	5 lbs	3' Std	IEM,REM,SPR**
	<input type="checkbox"/> PD-10002	11w x 9h	1-38wCLED (5734 lumens)	7 lbs	3' Std	IEM,REM,SPR**
	<input type="checkbox"/> PD-10003	13w x 11h	1-52wCLED (9375 lumens)	10 lbs	6' Std	IEM,REM,SPR**
	<input type="checkbox"/> PD-10004	13w x 15h	1-83wCLED (12597 lumens)	16 lbs	6' Std	IEM,REM,SPR**
INCANDESCENT	<input type="checkbox"/> PD-10005	9w x 7h	1-100wA (1740 lumens)	4 lbs	3' Std	L38
	<input type="checkbox"/> PD-10006	11w x 9h	1-150wA (2780 lumens)	6 lbs	3' Std	L52
	<input type="checkbox"/> PD-10007	13w x 11h	1-200wPS (3910 lumens)	8 lbs	6' Std	L52
	<input type="checkbox"/> PD-10008	13w x 15h	1-300wPS (5110 lumens)	11 lbs	6' Std	L83
FLUORESCENT	<input type="checkbox"/>					

~Single Circuit Standard Wiring~

**All LED Fixtures

REFLECTOR

W: Wide reflector (72°)

M: Medium reflector (46°)

N: Narrow reflector (30°)

S: Spot reflector (22°)

F: Focus reflector (6°)

	SOLID BRASS FINISHES	PAINTED METAL FINISHES	ALUMINUM FINISHES	STAINLESS STEEL FINISHES
METAL FINISH	<input type="checkbox"/> ABB: Antique Brass	<input type="checkbox"/> DGP: Dark Green	<input type="checkbox"/> SAA: Satin Aluminum	<input type="checkbox"/> NA
	<input type="checkbox"/> SBB: Satin Brass	<input type="checkbox"/> VGP: Verde Green	<input type="checkbox"/> SNA: Satin Nickel	<input type="checkbox"/>
	<input type="checkbox"/> PBB: Polished Brass	<input type="checkbox"/> CGP: Charcoal Gray	<input type="checkbox"/> PAA: Polished Aluminum	<input type="checkbox"/>
	<input type="checkbox"/> ANB: Antique Nickel	<input type="checkbox"/> MBP: Medium Bronze	<input type="checkbox"/> BBA: Burnished Bronze	<input type="checkbox"/>
	<input type="checkbox"/> SNB: Satin Nickel	<input type="checkbox"/> SBP: Satin Black	<input type="checkbox"/> RNA: Red Naval Bronze	<input type="checkbox"/>
	<input type="checkbox"/> PNB: Polished Nickel	<input type="checkbox"/> DBP: Dark Bronze	<input type="checkbox"/> SGA: Satin Gold	<input type="checkbox"/>
	<input type="checkbox"/> AZB: Antique Bronze	<input type="checkbox"/> LBP: Light Bronze	<input type="checkbox"/> SBA: Satin Bronze	<input type="checkbox"/>
	<input type="checkbox"/> SZB: Satin Bronze	<input type="checkbox"/> MGP: Medium Gold	<input type="checkbox"/> ORA: Oil Rubbed Bronze	<input type="checkbox"/>
	<input type="checkbox"/> PZB: Polished Bronze	<input type="checkbox"/> SCP: Sponged Copper	<input type="checkbox"/> SCA: Satin Copper	<input type="checkbox"/>
	<input type="checkbox"/> CSB: Custom Brass*	<input type="checkbox"/> CSP: Custom Paint*	<input type="checkbox"/> CSA: Custom Aluminum*	<input type="checkbox"/>

OPTIONS

L38: 38wLED R40 Downlt

L52: 52wLED R40 Downlt

L83: 83wLED R40 Downlt

SPR: Surge protector

IEM: Integral Emer.Driver

DIM: Dimming driver (std)

REM: Remote Emer.Driver