



Thor

CH-100~CH-131

Our Thor fixtures are a truly original design. They feature a "fearful symmetry" not found in any of our other Lightsmith designs. A large scavo-textured bowl with curling "snake" designs sits in center of the chandelier version. Smaller matching bowls decorate the arms of Thor. There is an hour-glass design in center to emphasize the timelessness of this design. And under each small "snake-bowl" there is a beautiful curving segmented brass horn casting. We offer these fixtures in many finishes and lamping options. Be brave and try one today.

~Thor Series~

- Chandelier: CH-100~CH-131
- Pendant: PD-100~PD-131
- Ceiling Mount: CL-100~CL-108
- Wall Mount: SC-100~SC-111
- Bollard: BL-100~BL-111

Mounting: Lightsmith fixtures mount to standard 4" octagon electrical boxes unless otherwise specified. All hardware and canopies supplied.

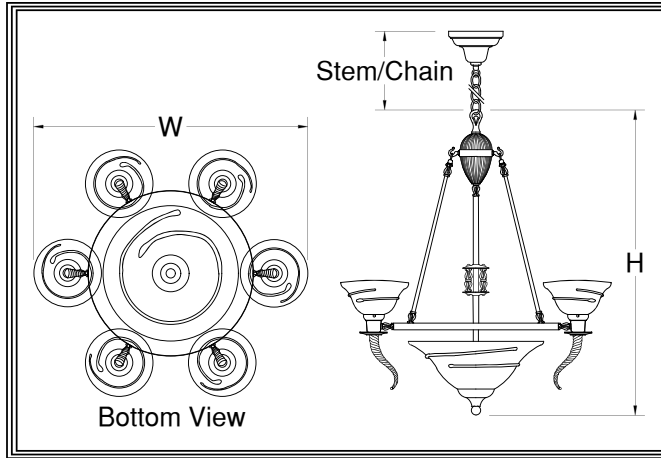
Listing and Warranty: Lightsmith fixtures are Underwriters Laboratories listed and carry a standard three year warranty against defects in materials and labor beginning at date of shipment.



Fixture Specifications

~
 ~
 ~
 ~
 ~
 ~

FIXTURE NUMBER (Example: CH-100) ~
 DIFFUSER (Example: BGA-ECH) ~
 METAL FINISH (Example: ABB) ~
 VOLTAGE (120V, 277V, 347V) ~
 STEM=S+Lgth (Example: S-96") CHAIN=C+Lgth (Example: C-96") NR=Not required ~
 OPTIONS (Example: DIM, REM) ~
 MODIFICATIONS (Example: Custom Paint*) Use "Notes" Box At Top To Explain Modifications



Fixture Number Job Type

Job Name

Notes~Modifications

	Fixture Number	Dimensions	Lamping	Weight	Stem/Chain	Options
LED	<input type="checkbox"/> CH-109	32w x 27h	4-13wCLED Ctr/3-11wCLED Arms	43 lbs	3' Std	DALI,IEM,TPL,FUS**
	<input type="checkbox"/> CH-110	40w x 34h	6-13wCLED Ctr/5-13wCLED Arms	51 lbs	6' Std	L423,L623
	<input type="checkbox"/> CH-111	48w x 40h	4-23wCLED Ctr/6-13wCLED Arms	65 lbs	9' Std	L423,L623,L311
	<input type="checkbox"/> CH-112	54w x 46h	6-23wCLED Ctr/6-13wCLED Arms	79 lbs	9' Std	L623,L823,L611
	<input type="checkbox"/> CH-113	72w x 62h	8-23wCLED Ctr/8-13wCLED Arms	95 lbs	12' Std	L623,L823,L611
INCANDESCENT	<input type="checkbox"/> CH-120	32w x 27h	4-60wA Ctr/3-40wA Arms	40 lbs	3' Std	N250
	<input type="checkbox"/> CH-100	40w x 34h	6-60wA Ctr/5-60wA Arms	48 lbs	6' Std	N300
	<input type="checkbox"/> CH-121	48w x 40h	8-60wA Ctr/6-60wA Arms	62 lbs	9' Std	N300
	<input type="checkbox"/> CH-101	54w x 46h	6-150wA Ctr/6-60wA Arms	77 lbs	9' Std	N500
	<input type="checkbox"/> CH-102	72w x 62h	8-150wA Ctr/8-60wA Arms	92 lbs	12' Std	N500
FLUORESCENT	<input type="checkbox"/> CH-130	32w x 27h	4-18wCF Ctr/3-13wCF Arms	45 lbs	3' Std	DIM,IEM,TPL,FUS*
	<input type="checkbox"/> CH-103	40w x 34h	4-42wCF Ctr/5-18wCF Arms	53 lbs	6' Std	F242
	<input type="checkbox"/> CH-131	48w x 40h	6-42wCF Ctr/6-18wCF Arms	68 lbs	9' Std	F242
	<input type="checkbox"/> CH-104	54w x 46h	8-42wCF Ctr/6-18wCF Arms	83 lbs	9' Std	F442
	<input type="checkbox"/> CH-105	72w x 62h	12-42wCF Ctr/8-18wCF Arms	99 lbs	12' Std	F442

*All Fluorescent Fixtures
**All LED Fixtures

DIFFUSER	<input type="checkbox"/> BGA: Beige Alabaster Acrylic	<input type="checkbox"/> GRA: Green Edge Acrylic	<input type="checkbox"/> ECH: Etched*
	<input type="checkbox"/> NHA: Natural Horn Acrylic	<input type="checkbox"/> EGA: Earth Green Acrylic	*Etched option creates a matte, non-glossy finish on one side of the diffuser. (Example: WOA-ECH)
	<input type="checkbox"/> WHA: White Alabaster Acrylic	<input type="checkbox"/> DGA: Deep Gold Acrylic	
	<input type="checkbox"/> HNA: Honey Alabaster Acrylic	<input type="checkbox"/> SBA: Sea Blue Acrylic	
	<input type="checkbox"/> WOA: White Opal Acrylic	<input type="checkbox"/> SCA: Scavo Acrylic	

	SOLID BRASS FINISHES	PAINTED METAL FINISHES	ALUMINUM FINISHES	STAINLESS STEEL FINISHES
METAL FINISH	<input type="checkbox"/> ABB: Antique Brass	<input type="checkbox"/> DGP: Dark Green	<input type="checkbox"/> SAA: Satin Aluminum	<input type="checkbox"/> SSS: Satin
	<input type="checkbox"/> SBB: Satin Brass	<input type="checkbox"/> VGP: Verde Green	<input type="checkbox"/> SNA: Satin Nickel	<input type="checkbox"/> DSS: Distressed
	<input type="checkbox"/> PBB: Polished Brass	<input type="checkbox"/> CGP: Charcoal Gray	<input type="checkbox"/> PAA: Polished Aluminum	<input type="checkbox"/> PSS: Polished
	<input type="checkbox"/> ANB: Antique Nickel	<input type="checkbox"/> MBP: Medium Bronze	<input type="checkbox"/> BBA: Burnished Bronze	<input type="checkbox"/> HSS: Hammered
	<input type="checkbox"/> SNB: Satin Nickel	<input type="checkbox"/> SBP: Satin Black	<input type="checkbox"/> RNA: Red Naval Bronze	<input type="checkbox"/>
	<input type="checkbox"/> PNB: Polished Nickel	<input type="checkbox"/> DBP: Dark Bronze	<input type="checkbox"/> SGA: Satin Gold	<input type="checkbox"/>
	<input type="checkbox"/> AZB: Antique Bronze	<input type="checkbox"/> LBP: Light Bronze	<input type="checkbox"/> SBA: Satin Bronze	<input type="checkbox"/>
	<input type="checkbox"/> SZB: Satin Bronze	<input type="checkbox"/> MGP: Medium Gold	<input type="checkbox"/> ORA: Oil Rubbed Bronze	<input type="checkbox"/>
	<input type="checkbox"/> PZB: Polished Bronze	<input type="checkbox"/> SCP: Sponged Copper	<input type="checkbox"/> SCA: Satin Copper	<input type="checkbox"/>
	<input type="checkbox"/> CSB: Custom Brass*	<input type="checkbox"/> CSP: Custom Paint*	<input type="checkbox"/> CSA: Custom Aluminum*	<input type="checkbox"/>
	<input type="checkbox"/>			<input type="checkbox"/> CSS: Custom SS*
	<input type="checkbox"/>			<input type="checkbox"/>
	<input type="checkbox"/>			<input type="checkbox"/>
	<input type="checkbox"/>			<input type="checkbox"/>

OPTIONS	<input type="checkbox"/> N250: 250wPar38 Downlight	<input type="checkbox"/> L311: 3-11wCLED Uplight	<input type="checkbox"/> FUS: Fusing
	<input type="checkbox"/> N300: 300wPar56 Downlight	<input type="checkbox"/> L611: 6-11wCLED Uplight	<input type="checkbox"/> IEM: Integral Emer.Ballast
	<input type="checkbox"/> N500: 500wPar56 Downlight	<input type="checkbox"/> L423: 4-23wCLED Downlight	<input type="checkbox"/> DALI: Dali dimming LED
	<input type="checkbox"/> DIM: Dimming Ballast	<input type="checkbox"/> L623: 6-23wCLED Downlight	<input type="checkbox"/> F242: 2-42wCFT Downlight
	<input type="checkbox"/> TPL: Top Lens	<input type="checkbox"/> L823: 8-23wCLED Downlight	<input type="checkbox"/> F442: 4-42wCFT Downlight